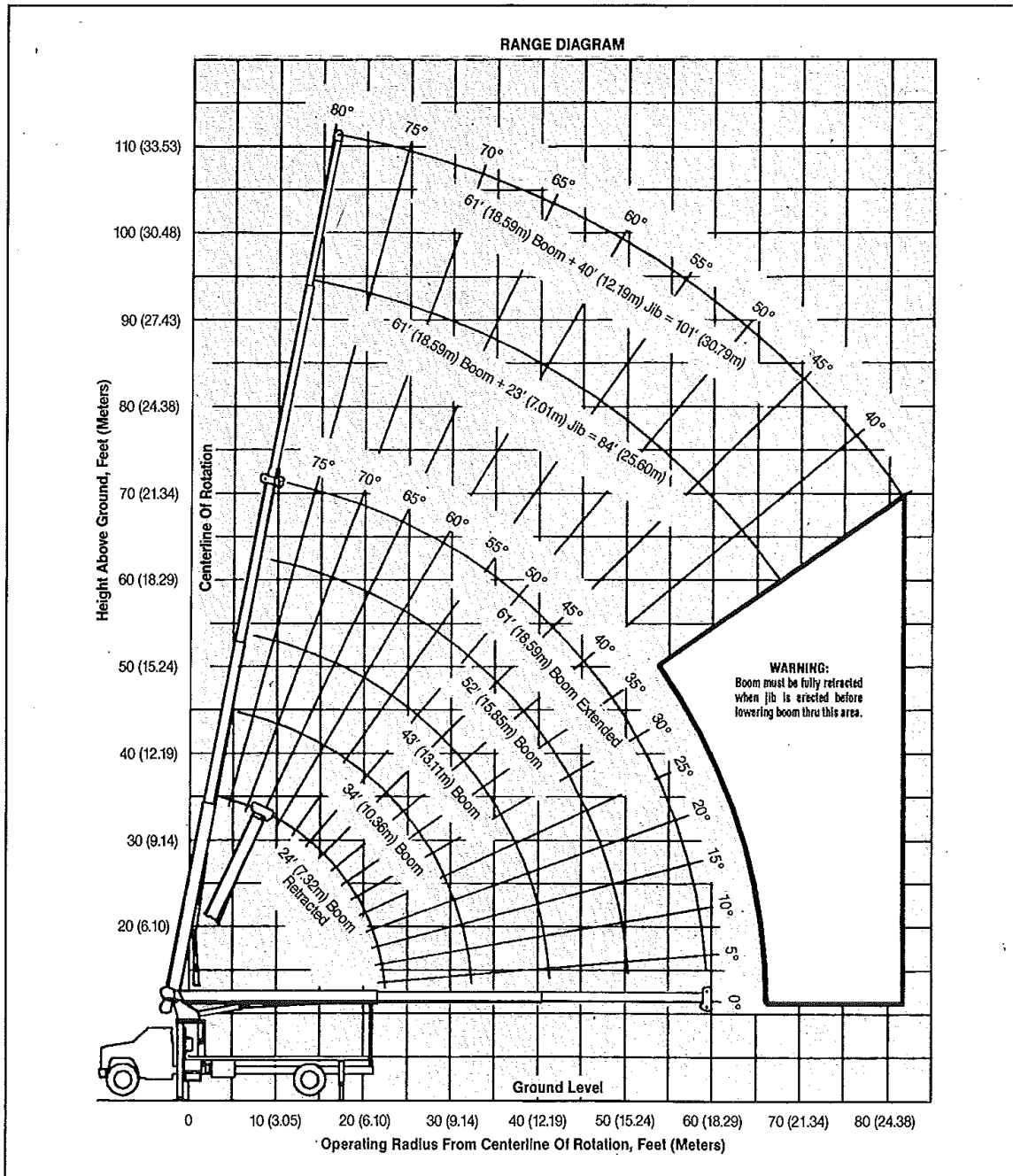




GENERAL SPECIFICATIONS MODEL 1261 TRUCK-MOUNTED CRANE

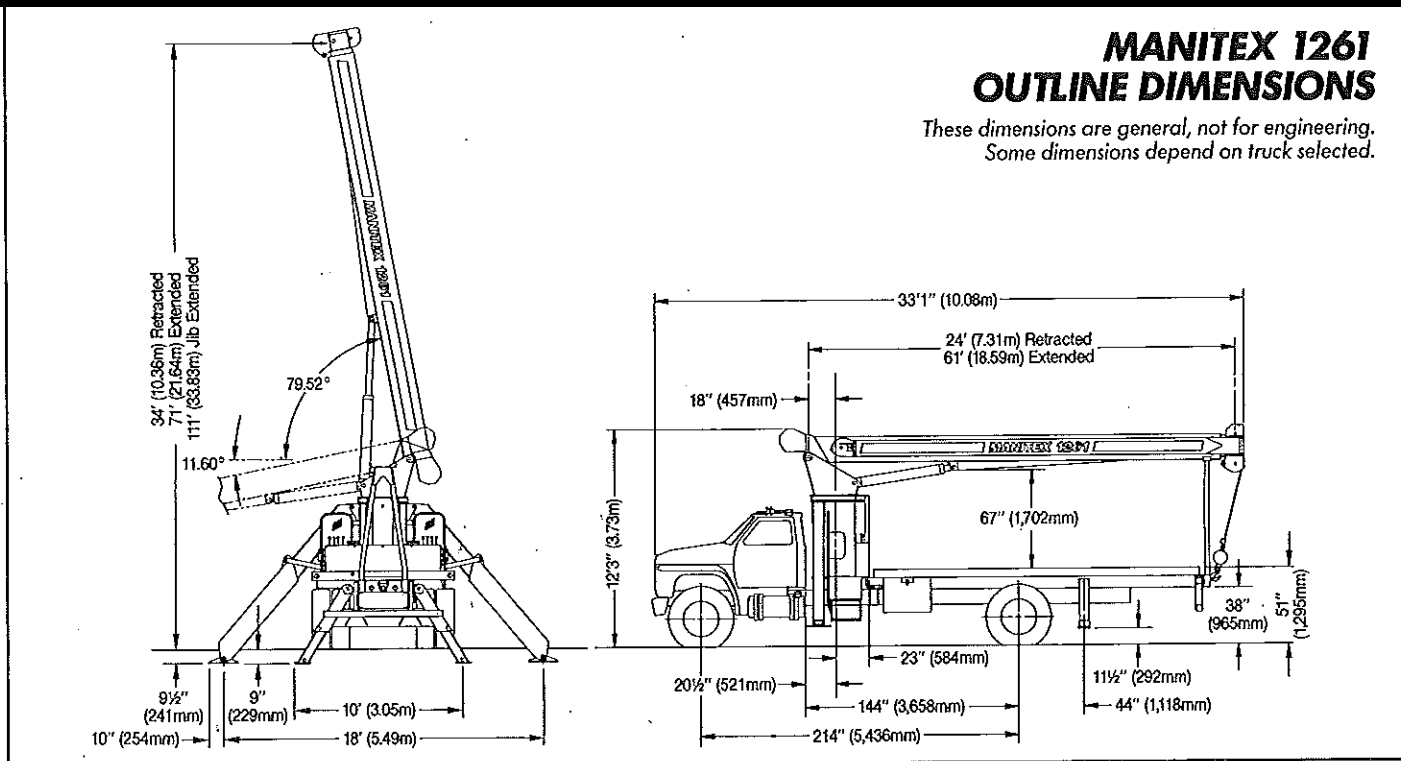


WARNING!

The provided information is for reference purposes only and should not be used to operate the crane. The crane's specific operator's manual should be consulted and understood prior to crane operation.

MANITEX 1261 OUTLINE DIMENSIONS

These dimensions are general, not for engineering.
Some dimensions depend on truck selected.



STANDARD EQUIPMENT

- 3-section telescopic boom 24' (7.32m) to 61' (18.59m)
- Pedestal, turret, rotation bearing & swing system
- 18' (5.49m) subframe
- A-frame link type outriggers
- A-frame rear stabilizers
- 2-sheave boom point
- Boom hoist cylinder
- 2-speed planetary hoist
- Dual operator stations
- Engine start/stop
- Removable boom rest
- 5-ton (4.5-mt) hook & ball
- 372° non-continuous rotation
- 56-gallon (212-liter) hydraulic reservoir
- 2-section vane type hydraulic pump
- System pressure gauge
- Electronic capacity alert system, audio/visual
- Anti-two-block shutoff
- Audible outrigger/stabilizer motion alarm
- Back-up alarm
- Signal horn
- 235' (71.63m) of 1/2" (12.7mm) EIPS IWRC wire rope
- Finish paint in Manitex colors
- Operator/service/parts manuals

TRUCK CHASSIS DATA

Minimum Requirements:

Some configurations and options may increase requirements

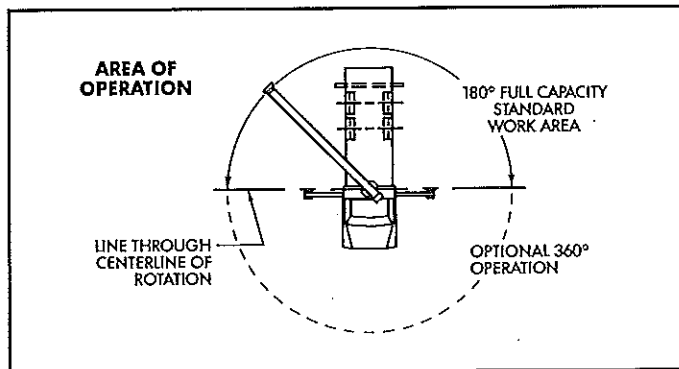
Wheelbase	214"	5,436mm
Cab to axle	144"	3,658mm
Front axle gross weight rating	9,000 lbs.	4,082 kgs
Rear axle gross weight rating	17,500 lbs.	7,938 kgs
Frame section modulus	18.0 in ³	295 cc
Frame section modulus	50,000 psi	344,750 kPa
Frame section modulus	13.0 in ³	213 cc
Nominal frame width	110,000 psi	758,450 kPa
	34"	864mm

WEIGHTS

Total crane, including hydraulic fluid **Lbs. 12,650 Kgs. 5,738**

Additions:

23' (7.01m) fixed-length jib	545	247
40' (12.19m) telescopic jib	820	372
15-ton (13.6-mt) single-sheave block	260	118
Hanger sheave for 3- and 4-part line	50	23
18'4" (5.49m) steel or wood bed	1,800	817
20'4" (6.20m) steel or wood bed	1,900	862



ALLOWABLE LINE PULL

1-PART LINE	2-PART LINE	3-PART LINE	4-PART LINE
7,600 Lbs. (3,447 Kgs.) ¹ 7,400 Lbs. (3,356 Kgs.) ²	15,200 Lbs. (6,894 Kgs.) ¹ 14,800 Lbs. (6,713 Kgs.) ²	22,800 Lbs. (10,342 Kgs.) ¹ 22,200 Lbs. (10,069 Kgs.) ²	25,000 Lbs. (11,340 Kgs.) ¹ 25,000 Lbs. (11,340 Kgs.) ²
WARNING: Anti-two block system must be in good operating condition before operating crane. Refer to Owner's Manual. Keep at least 3 wraps of load line on drum of all times.			

MODEL 1261 LOAD RATING CHART

This capacity chart is for reference use only and must not be used for a specific serial number crane. Lifting off the main boom point while the swing-around jib is erected is not approved.

MEETS
ANSI B30.5
REQUIREMENTS

OUTRIGGERS AND STABILIZERS EXTENDED																
Operating Radius		Load Rating 24' (7.32m) Boom			Load Rating 34' (10.36m) Boom			Load Rating 43' (13.11m) Boom			Load Rating 52' (15.85m) Boom			Load Rating 61' (18.59m) Boom		
Feet	Meters	Loaded Bm. Angle	Pounds	Kilograms	Loaded Bm. Angle	Pounds	Kilograms	Loaded Bm. Angle	Pounds	Kilograms	Loaded Bm. Angle	Pounds	Kilograms	Loaded Bm. Angle	Pounds	Kilograms
5'	1.52	76°	25,000	11,339												
8'	2.44	69°	18,310	8,305	76°	17,050	7,733	79°	14,460	6,559						
10'	3.05	63°	15,400	6,985	72°	14,340	6,504	76°	12,090	5,484	79°	11,390	5,166			
12'	3.66	58°	13,230	6,001	68°	12,360	5,606	74°	10,390	4,712	77°	9,810	4,449	79°	9,000	4,082
15'	4.57	49°	10,810	4,903	63°	10,220	4,635	69°	8,570	3,887	74°	8,150	3,696	77°	7,700	3,492
20'	6.10	28°	7,530	3,415	53°	7,850	3,560	62°	6,600	2,993	68°	6,290	2,853	72°	6,000	2,721
25'	7.62				41°	6,150	2,789	54°	5,280	2,394	61°	5,060	2,295	67°	4,820	2,186
30'	9.14				24°	4,470	2,027	45°	4,280	1,941	55°	4,170	1,891	61°	4,000	1,814
35'	10.67							34°	3,390	1,537	48°	3,470	1,574	56°	3,370	1,528
40'	12.19							17°	2,270	1,029	39°	2,860	1,297	50°	2,850	1,292
45'	13.72										29°	2,250	1,020	43°	2,400	1,088
50'	15.24										10°	1,210	548	35°	1,980	898
55'	16.76													24°	1,490	675
Deduction for Stowed Jib																
			450	204		320	145		250	113		210	95		180	82

JIB LOAD RATING IN LBS./KGS. WITH OUTRIGGERS AND STABILIZERS EXTENDED							
Operating Radius		Jib Load Rating 23' (7.01m) Jib For All Boom Lengths			Jib Load Rating 40' (12.19m) Jib For All Boom Lengths		
Feet	Meters	Loaded Bm. Angle	Pounds	Kilograms	Loaded Bm. Angle	Pounds	Kilograms
15'	4.57	80°	3,800	1,723			
20'	6.10	77°	3,300	1,496	79°	2,100	952
25'	7.62	74°	2,770	1,256	77°	1,900	861
30'	9.14	70°	2,350	1,066	74°	1,650	748
35'	10.67	66°	2,030	920	71°	1,450	657
40'	12.19	63°	1,760	798	68°	1,280	580
45'	13.72	59°	1,510	685	65°	1,140	517
50'	15.24	54°	1,290	585	62°	1,020	462
55'	16.76	50°	1,100	499	58°	920	417
60'	18.29	45°	930	421	55°	830	376
65'	19.81	40°	780	353	51°	750	340
70'	21.34	34°	640	290	48°	680	308
75'	22.86				44°	610	276
80'	24.38				39°	520	235
85'	25.91				34°	440	200

INFORMATION: Deductions must be made from rated loads for stowed jib, optional attachments, hooks, and load blocks (see deduction chart). Weights of slings and all other load handling devices shall be considered a part of the load.

Deductions From Rated Loads For Manitex Supplied Load Handling Devices	
Hanger Sheave	50 Lbs. (23 Kgs.)
Overhaul Ball	120 Lbs. (54 Kgs.)
Single-Sheave Load Block	260 Lbs. (118 Kgs.)
Double-Sheave Load Block	350 Lbs. (159 Kgs.)
Hose Reel	190 Lbs. (86 Kgs.)
Swing-Around Jib	See load chart



WARNING: Before operating any Manitex crane, the operator must read and understand the owner's manual and other instructions for a specific serial number crane. This chart is only a guide. The notes and warnings are for illustration only and cannot be used to operate a crane.

The operating radius shown in the jib load rating chart is for fully extended boom only. When boom is not fully extended, use only loaded boom angle to determine load rating of jib. Do not rely on capacity-alert system when lifting from jib.

Main boom load ratings above the heavy line are based on a constant hoist cylinder pressure, machine structural competence, and do not exceed 85% of tipping. Jib load ratings above the heavy line are based only on machine structural competence and do not exceed 85% of tipping.

DO NOT OPERATE A MANITEX TRUCK-MOUNTED CRANE OR ACCESSORIES WITHIN 10' (3.05m) OF LIVE POWER LINES.

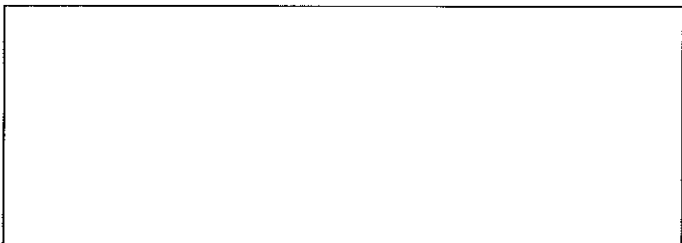
Crane load ratings on outriggers are based on freely suspended loads with the machine leveled and standing on a firm uniform supporting surface. No attempt shall be made to move a load horizontally on the ground in any direction.

MANITEX, INC.

A Subsidiary of The Manitowoc Company, Inc.

P.O. Box 1609 ■ Georgetown, Texas 78627-1609

Telephone: 512-869-0552 ■ Telefax: 512-863-3776



Because of continuing improvements, Manitex reserves the right to change product specifications without notice.

Form 2503-394

Printed in U.S.A.

©1994 Manitex