

LARAMIE
SINCE 1917

Nationwide Crane Rental and Heavy Haul

(800) 572-8100 or (248) 313-5800

www.laramiecrane.com

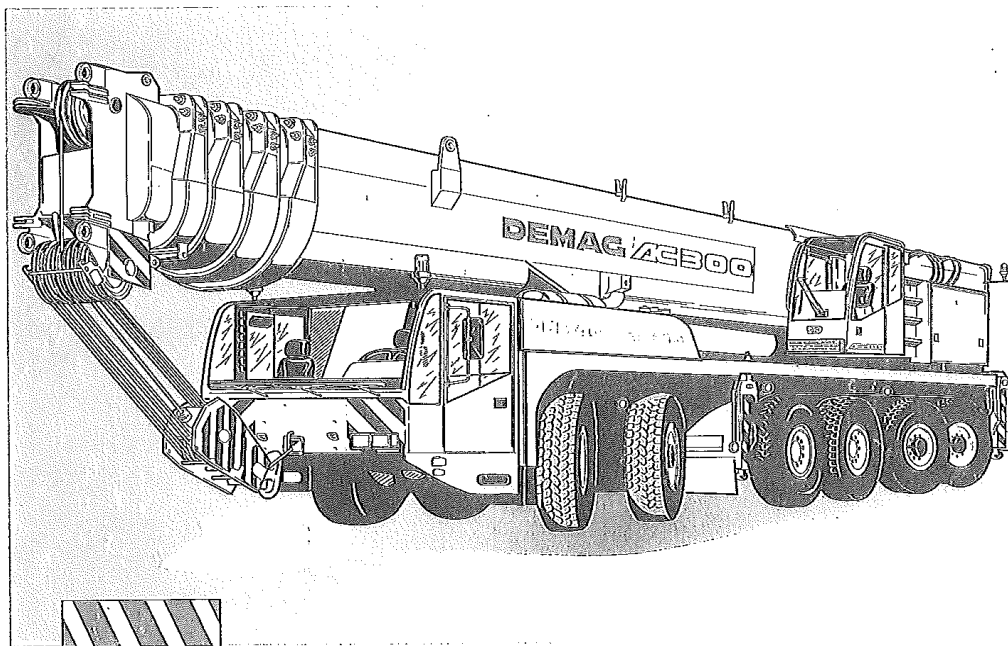
engineering
timannesmann
Dematic

LARAMIE

SINCE 1917

EQUIPMENT COMPANY

Demag AC 300



350 t

'Perfection for
your success'

WARNING!

The provided information is for reference purposes only and should not be used to operate the crane. The crane's specific operator's manual should be consulted and understood prior to crane operation.



UNIT NO. HT-360-1
SERIAL NO. 39056

EQUIPMENT SPECIFICATIONS FOR:

HYDRAULIC TRUCK CRANES

MAKE: DEMAG MODEL: AC-300 YEAR: 1999
ENGINE MAKE & MODEL: CUMMINS N14 500E CUMMINS CPL2391

BELT REPLACEMENT: FAN UPPER CUMMINS 3288746 LOWER _____
ALT. UPPER _____ LOWER _____
P/S UPPER _____ LOWER _____
AIR UPPER _____ LOWER _____

STARTER UPPER _____ LOWER _____
ALTERNATOR UPPER _____ LOWER _____
FUEL PUMP UPPER _____ LOWER _____
BATTERIES UPPER (2) 8D LOW PRO LOWER (2) 8D LOW PRO

FLUID CAPACITIES: FUEL UPPER 79 GALS. LOWER 174 GALS.
OIL UPPER _____ LOWER 11.5 GALS
COOLANT UPPER _____ LOWER 23.8 GALS.
HYD. OIL UPPER _____ LOWER 80.6 GALS. ATF
PLANITARY .47 GALS. REAR ENDS 5.5 GALS.
TRANSMISSION _____
MAIN HOIST _____ SWING BOX _____
AUX HOIST _____

FILTER REPLACEMENT: OIL UPPER P558615 LOWER P553000
FUEL UPPER P551329 & P553004 LOWER P551000 OR 33406
COOLANT UPPER _____ LOWER _____
AIR UPPER P776695 & P771561 LOWER (2) 181137
HYDRAULIC UPPER _____ LOWER _____
TRANSMISSION _____

CABLE REPLACEMENT: FRONT DRUM 1150' (350M) 23MM ROTATION RESISTANT
REAR DRUM 1550' (470M) 23MM ROTATION RESISTANT
CABLE WT. 1.75 LBS. PER FT. BREAKING STRENGTH 59.2 TON
LINE PULL 22,500 LBS.

TIRE SIZE: 20.5X25

	MAKE	S/N.	CAPACITY	SHEAVES	WEIGHT
LOAD BLOCK:	DEMAG		30 TON	1	1,600 LBS.
LOAD BLOCK:	DEMAG		250 TON	11	4,410 LBS.
HEADACHE BALL:	JOHNSON		15 TON	NA	900 LBS.

OUTRIGGER MATS: 5' X 8' X 8" STEEL

Specifications

Working speeds (infinitely variable)

Mechanisms	Normal speed	High speed	Max. permissible line pull ¹⁾	Length of hoist rope
Hoist I	164 ft/min	433 ft/min	22,500 lb	1.150ft
Hoist II	164 ft/min	433 ft/min	22,500 lb	1.550ft
Slewing				max. 1.5 rpm
Telescoping speed				48.2 – 193.6 ft: 420 s
Boom elevation				-1.3° – +82.5°: 85 s

Carrier performance

Travel speed	0 .. 43 mph
Gradeability	65 %
Ground clearance	1'5" / 1'7"

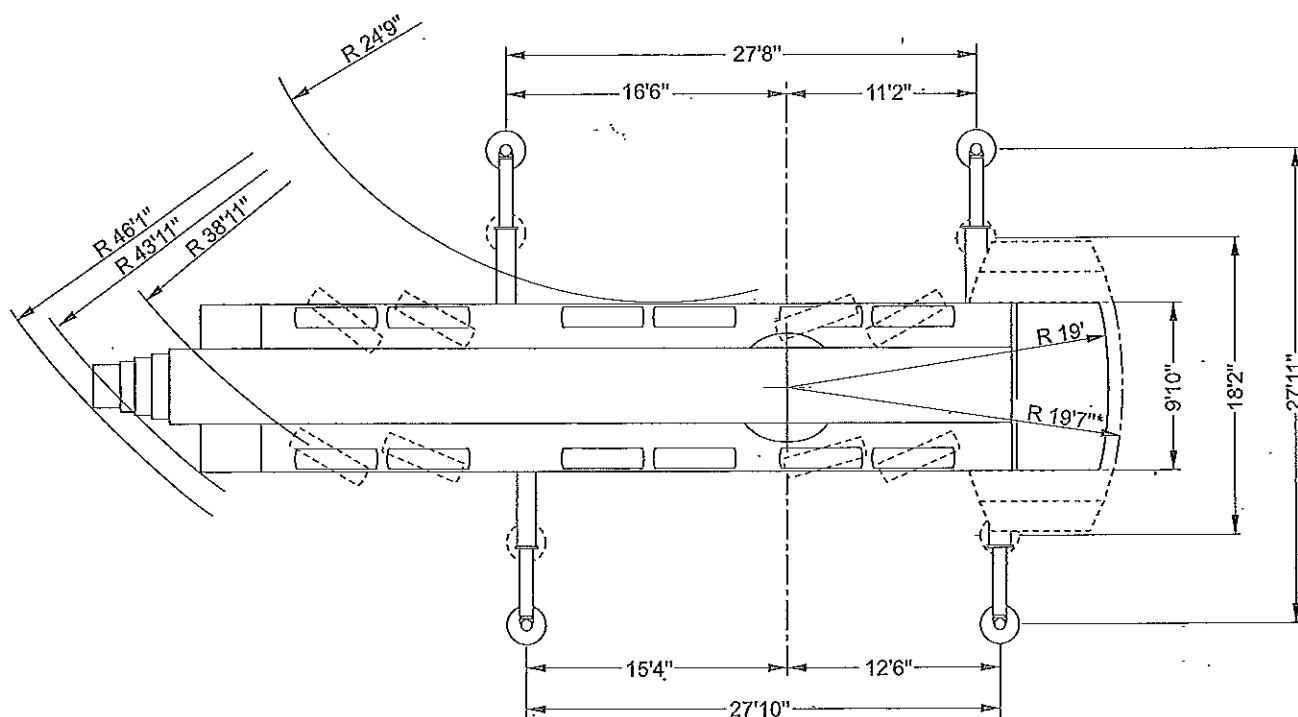
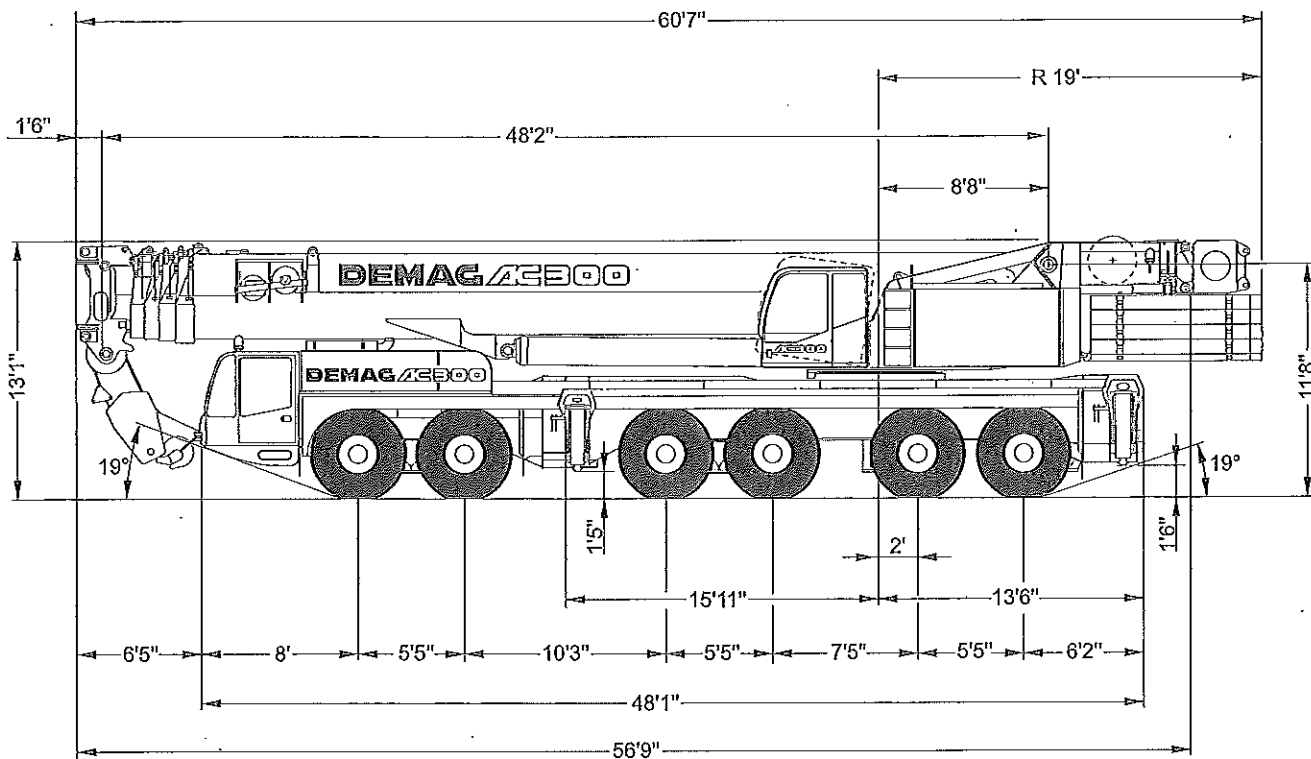
Hook block/Single line hook

Type	Possible load ¹⁾	Number of sheaves	Weight	„D“	Number of lines	Heavy-lift attachment
2 x 180	550,000 lb	2 x 8	8,400 lb	10 ft	2 x 16	2 add. sheaves*
250	480,000 lb	11	4,400 lb	10 ft	23	4 add. sheaves
200	405,000 lb	9	3,500 lb	10 ft	19	2 add. sheaves
160	326,000 lb	7	3,100 lb	10 ft	15	
125	245,000 lb	5	2,600 lb	10 ft	11	
80	159,000 lb	3	2,300 lb	10 ft	7	
40	68,000 lb	1	1,600 lb	9 ft	3	
12,5	22,000 lb	Single line hook	1,300 lb	7 ft	1	

Remarks

* with bridle, for double hook block

Dimensions



* with additional counterweight
Duties with reduced outrigger base on request

Lifting capacities main boom with Superlift

220,500 lb



360°

85%

Radius	Main boom					
	113.2 ft	129.9 ft	146.0 ft	162.1 ft	178.2 ft	193.6 ft
	1,000 lb					
16	198.4	--	--	--	--	--
19	198.4	154.3	--	--	--	--
23	196.2	154.3	132.3	--	--	--
26	190.7	154.3	132.3	110.2	--	--
29	183.0	149.9	130.1	110.2	88.2	66.1
33	169.8	142.2	126.8	109.1	88.2	66.1
39	141.1	132.3	117.9	104.7	87.1	65.7
46	116.8	119.0	109.1	99.2	83.8	65.0
52	100.3	104.7	99.2	93.7	80.5	64.2
59	88.2	93.7	90.4	87.1	77.2	62.8
65	79.4	83.8	80.5	79.4	72.8	60.6
72	72.8	75.0	72.8	69.4	67.2	58.4
79	67.2	67.2	66.1	62.8	63.3	55.1
85	62.2	61.7	60.8	57.3	57.8	52.2
92	54.7	58.4	56.7	52.7	53.6	49.4
98	43.4	52.5	53.1	48.3	48.9	46.1
105	--	47.0	47.6	45.2	45.6	43.4
111	--	42.3	42.8	42.1	42.1	40.6
118	--	--	38.6	39.9	39.9	38.6
124	--	--	34.6	35.9	37.7	36.4
128	--	--	31.7	34.4	36.2	35.7
131	--	--	--	32.6	34.6	34.8
138	--	--	--	29.5	31.3	31.7
144	--	--	--	25.1	28.7	28.9
151	--	--	--	--	26.0	26.2
157	--	--	--	--	23.8	24.0
160	--	--	--	--	19.8	22.9
164	--	--	--	--	--	21.8
170	--	--	--	--	--	20.1
174	--	--	--	--	--	17.6

Boom extension sequence %

	113.2 ft	129.9 ft	146.0 ft	162.1 ft	178.2 ft	193.6 ft
Tele 1	90	90	90	90	90	100
Tele 2	90	45	90	90	90	100
Tele 3	0	45	45	90	90	100
Tele 4	0	45	45	45	90	100

Lifting capacities main boom with Superlift

167,600 lb



360°

85%

Radius	Main boom					
	113.2 ft	129.9 ft	146.0 ft	162.1 ft	178.2 ft	193.6 ft
	1,000 lb					
16	198.4	--	--	--	--	--
19	198.4	154.3	--	--	--	--
23	196.2	154.3	132.3	--	--	--
26	190.7	154.3	132.3	110.2	--	--
29	183.0	149.9	130.1	110.2	88.2	66.1
33	169.8	142.2	126.8	109.1	88.2	66.1
39	141.1	132.3	117.9	104.7	87.1	65.7
46	116.8	119.0	109.1	99.2	83.8	65.0
52	100.3	104.7	99.2	93.7	80.5	64.2
59	88.2	93.7	90.4	87.1	77.2	62.8
65	73.9	79.4	79.4	79.4	72.8	60.6
72	63.5	67.2	68.3	69.4	67.2	58.4
79	54.5	58.9	59.5	61.1	63.1	55.1
85	47.0	51.1	52.0	53.4	55.3	52.2
92	40.3	45.0	45.6	47.0	48.9	49.4
98	35.1	39.5	40.1	41.7	43.7	43.9
105	--	34.6	35.3	36.8	38.8	39.2
111	--	30.4	31.1	32.6	34.6	35.1
118	--	--	27.6	28.9	30.9	31.3
124	--	--	24.3	25.6	27.6	28.0
128	--	--	22.9	24.3	26.2	26.5
131	--	--	--	22.7	24.7	24.9
138	--	--	--	20.3	22.0	22.3
144	--	--	--	17.9	19.6	20.1
151	--	--	--	--	17.6	17.9
157	--	--	--	--	15.7	15.9
160	--	--	--	--	15.0	15.0
164	--	--	--	--	--	14.1
170	--	--	--	--	--	12.6
174	--	--	--	--	--	11.9

Boom extension sequence %

Tele 1	90	90	90	90	90	100
Tele 2	90	45	90	90	90	100
Tele 3	0	45	45	90	90	100
Tele 4	0	45	45	45	90	100

Lifting capacities main boom

220,500 lb



360°

85%

Radius	Main boom												
	48.2 ft ¹⁾	48.2 ft	64.6 ft	80.7 ft	97.4 ft	113.2 ft	113.2 ft	129.9 ft	146.0 ft	162.1 ft	178.2 ft	193.6 ft	
	1,000 lb												
10	661.4 ²⁾	460.8	352.7	-	-	-	-	-	-	-	-	-	-
11	451.9 ²⁾	447.5	352.7	308.6	-	-	-	-	-	-	-	-	-
13	414.5 ²⁾	414.5	352.7	308.6	242.5	-	-	-	-	-	-	-	-
15	385.8 ²⁾	385.8	339.5	308.6	242.5	-	-	-	-	-	-	-	-
16	359.4 ²⁾	359.4	326.3	308.6	242.5	-	-	-	-	-	-	-	-
19	315.3	315.3	299.8	284.4	224.9	183.0	176.4	-	-	-	-	-	-
23	280.0	280.0	275.6	262.4	208.3	183.0	176.4	154.3	-	-	-	-	-
26	251.3	251.3	246.9	242.5	191.8	170.9	167.6	146.6	127.9	-	-	-	-
29	227.1	227.1	224.9	222.7	177.5	158.7	158.7	140.0	124.6	99.2	-	-	-
33	207.2	207.2	203.9	205.0	164.2	147.7	151.0	132.3	120.2	99.2	79.4	-	-
39	-	-	172.0	173.1	142.2	127.9	136.7	119.0	109.1	97.0	78.3	61.7	-
46	-	-	146.6	148.8	123.5	110.2	124.6	106.9	98.1	88.2	75.0	61.7	-
52	-	-	108.0	127.9	109.1	97.0	112.4	95.9	87.1	80.5	71.7	59.1	-
59	-	-	-	111.3	97.0	86.0	101.4	86.0	78.3	72.8	67.2	63.1	53.4
65	-	-	-	88.2	87.1	77.2	92.6	77.2	70.5	67.2	63.1	58.4	50.5
72	-	-	-	-	78.3	70.5	84.9	69.4	64.6	61.7	58.4	54.0	47.4
79	-	-	-	-	70.5	65.7	78.3	64.2	59.1	56.9	54.0	47.4	-
85	-	-	-	-	50.3	60.8	70.5	59.1	54.5	52.5	49.8	44.5	-
92	-	-	-	-	-	56.0	63.3	54.7	50.5	48.5	46.1	41.7	-
98	-	-	-	-	-	45.0	51.1	50.9	46.7	45.0	42.8	39.0	-
105	-	-	-	-	-	-	-	47.2	43.7	41.7	39.9	36.4	-
111	-	-	-	-	-	-	-	43.7	40.8	38.8	37.5	34.2	-
118	-	-	-	-	-	-	-	-	37.9	36.2	35.3	32.0	-
124	-	-	-	-	-	-	-	-	35.3	33.7	33.3	30.2	-
131	-	-	-	-	-	-	-	-	27.8	31.5	31.5	28.2	-
138	-	-	-	-	-	-	-	-	-	29.5	29.8	26.7	-
144	-	-	-	-	-	-	-	-	-	26.5	28.2	25.1	-
151	-	-	-	-	-	-	-	-	-	-	26.7	23.8	-
157	-	-	-	-	-	-	-	-	-	-	24.9	22.7	-
164	-	-	-	-	-	-	-	-	-	-	17.4	21.4	-
170	-	-	-	-	-	-	-	-	-	-	-	20.5	-
177	-	-	-	-	-	-	-	-	-	-	-	-	16.3

Boom extension sequence %

Tela 1	0	0	45	45	90	90	45	90	90	90	90	100
Tela 2	0	0	0	45	45	90	45	45	90	90	90	100
Tela 3	0	0	0	0	0	0	45	45	45	90	90	100
Tela 4	0	0	0	0	0	0	45	45	45	45	90	100

Remarks

- 1) only over rear
- 2) with heavy duty attachment and add. central outriggers

Lifting capacities main boom

167,600 lb



360°

85%

Radius	Main boom										
	48.2 ft	64.6 ft	80.7 ft	97.4 ft	113.2 ft	113.2 ft	129.9 ft	146.0 ft	162.1 ft	178.2 ft	193.6 ft
	1,000 lb										
10	460.8	352.7	-	-	-	-	-	-	-	-	-
11	436.5	352.7	308.6	-	-	-	-	-	-	-	-
13	403.4	352.7	308.6	242.5	-	-	-	-	-	-	-
15	372.6	339.5	308.6	242.5	-	-	-	-	-	-	-
16	348.3	326.3	308.6	242.5	-	-	-	-	-	-	-
19	304.2	299.8	284.4	224.9	183.0	176.4	-	-	-	-	-
23	271.2	266.8	262.4	208.3	183.0	176.4	154.3	-	-	-	-
26	240.3	240.3	240.3	191.8	170.9	167.6	146.6	127.9	-	-	-
29	213.8	213.8	213.8	177.5	158.7	158.7	140.0	124.6	99.2	-	-
33	192.9	192.9	192.9	164.2	147.7	151.0	132.3	120.2	99.2	79.4	-
39	-	160.9	160.9	142.2	127.9	136.7	119.0	109.1	97.0	78.3	61.7
46	-	134.5	136.7	123.5	110.2	124.6	106.9	98.1	88.2	75.0	61.7
52	-	108.0	111.3	109.1	97.0	112.4	95.9	87.1	80.5	71.7	59.1
59	-	-	92.6	89.3	86.0	98.1	86.0	78.3	72.8	67.2	56.2
65	-	-	78.3	75.0	76.1	82.7	77.2	70.5	67.2	63.1	53.4
72	-	-	-	64.6	65.5	71.7	69.4	64.6	61.7	58.4	50.5
79	-	-	-	55.8	56.4	62.8	60.4	59.1	56.9	54.0	47.4
85	-	-	-	48.5	49.2	55.3	52.9	53.4	52.5	49.8	44.5
92	-	-	-	-	42.8	49.2	46.7	47.0	48.3	46.1	41.7
98	-	-	-	-	37.5	43.9	41.4	41.7	43.0	42.8	39.0
105	-	-	-	-	-	-	36.8	36.8	38.4	39.9	36.4
111	-	-	-	-	-	-	32.6	32.6	34.0	35.9	34.2
118	-	-	-	-	-	-	-	29.1	30.4	32.2	32.0
124	-	-	-	-	-	-	-	26.0	27.1	28.9	29.5
131	-	-	-	-	-	-	-	23.4	24.3	26.0	26.5
138	-	-	-	-	-	-	-	-	21.8	23.4	23.8
144	-	-	-	-	-	-	-	-	19.4	20.9	21.6
151	-	-	-	-	-	-	-	-	-	19.0	19.4
157	-	-	-	-	-	-	-	-	-	17.2	17.4
164	-	-	-	-	-	-	-	-	-	15.4	15.7
170	-	-	-	-	-	-	-	-	-	-	14.1
177	-	-	-	-	-	-	-	-	-	-	12.6

Boom extension sequence %

Tele 1	0	45	45	90	90	45	90	90	90	90	100
Tele 2	0	0	45	45	90	45	45	90	90	90	100
Tele 3	0	0	0	0	0	45	45	45	90	90	100
Tele 4	0	0	0	0	0	45	45	45	45	90	100

Lifting capacities main boom

116,800 lb



360°

85%

Main boom																	
Radius (ft)	48.2	64.6	80.7	97.4	97.4	113.2	113.2	113.2	120.1	129.9	129.9	146.0	146.0	156.2	162.1	178.2	193.6
1,000 lb																	
10	460.8	352.7	--	--	--	--	--	--	--	--	--	--	--	--	--	--	--
11	423.3	352.7	308.6	--	--	--	--	--	--	--	--	--	--	--	--	--	--
13	390.2	352.7	308.6	242.5	178.6	--	--	82.7	--	--	--	--	--	--	--	--	--
15	361.6	339.5	308.6	242.5	178.6	--	--	81.6	--	--	--	--	--	--	--	--	--
16	335.1	326.3	308.6	242.5	178.6	--	--	80.5	66.1	--	100.3	--	--	--	--	--	--
19	280.0	280.0	280.0	224.9	169.8	183.0	176.4	79.4	66.1	--	100.3	--	80.5	--	--	--	--
23	240.3	240.3	240.3	208.3	159.8	183.0	176.4	78.3	66.1	154.3	100.3	--	79.4	63.9	--	--	--
26	210.5	210.5	210.5	191.8	149.9	170.9	167.6	76.1	63.7	146.6	99.2	127.9	78.3	63.9	--	--	--
29	187.4	187.4	187.4	177.5	141.1	158.7	158.7	73.9	61.5	140.0	94.8	124.6	77.2	63.9	99.2	--	--
33	168.7	168.7	168.7	162.0	132.3	147.7	151.0	71.7	59.1	132.3	91.5	120.2	76.1	63.9	99.2	79.4	--
39	--	133.4	134.5	126.8	116.8	122.4	131.2	67.2	54.9	119.0	83.8	109.1	72.8	60.8	97.0	78.3	61.7
46	--	102.5	103.6	101.4	104.7	99.2	106.9	61.3	50.9	100.3	76.1	97.0	69.4	57.3	88.2	75.0	61.7
52	--	81.6	82.7	80.5	92.6	81.6	89.3	55.3	47.0	83.8	69.4	81.6	65.0	54.0	80.5	71.7	59.1
59	--	--	67.2	65.5	77.2	66.1	72.8	49.8	43.4	70.5	62.8	69.4	60.2	50.5	68.3	67.2	56.2
65	--	--	56.7	54.0	65.7	55.1	61.9	44.8	39.9	59.5	56.9	60.0	55.1	47.2	59.7	60.0	53.4
72	--	--	--	45.2	56.7	46.3	52.7	40.3	36.8	50.3	51.8	50.9	50.3	43.9	52.0	52.7	50.5
79	--	--	--	37.7	49.2	38.6	45.4	36.6	33.7	43.0	47.4	43.4	46.1	40.6	45.0	46.5	45.6
85	--	--	--	32.0	--	32.4	39.5	33.5	32.2	36.8	43.2	37.3	42.3	37.7	38.8	40.6	40.6
92	--	--	--	--	--	27.3	34.4	30.9	30.9	31.5	38.1	32.0	39.0	35.1	33.5	35.5	35.9
98	--	--	--	--	--	23.1	30.0	29.1	28.2	27.1	33.7	27.6	35.3	32.4	28.9	30.9	31.5
105	--	--	--	--	--	--	--	--	25.8	23.4	30.0	23.6	31.7	30.2	24.9	26.9	27.6
111	--	--	--	--	--	--	--	--	23.6	20.3	26.7	20.3	28.2	28.0	21.6	23.4	24.0
118	--	--	--	--	--	--	--	--	--	--	--	17.2	25.4	25.8	18.5	20.5	21.2
124	--	--	--	--	--	--	--	--	--	--	--	14.8	22.7	23.1	15.9	17.6	18.3
131	--	--	--	--	--	--	--	--	--	--	--	12.6	20.3	20.7	13.7	15.2	15.9
138	--	--	--	--	--	--	--	--	--	--	--	--	--	18.5	11.5	13.2	13.7
144	--	--	--	--	--	--	--	--	--	--	--	--	--	--	9.7	11.2	11.9
151	--	--	--	--	--	--	--	--	--	--	--	--	--	--	--	9.7	10.1
157	--	--	--	--	--	--	--	--	--	--	--	--	--	--	--	8.2	8.6
164	--	--	--	--	--	--	--	--	--	--	--	--	--	--	--	6.8	7.1
170	--	--	--	--	--	--	--	--	--	--	--	--	--	--	--	--	6.0
177	--	--	--	--	--	--	--	--	--	--	--	--	--	--	--	--	4.6

Boom extension sequence %

Tele 1	0	45	45	90	0	90	45	0	0	90	0	90	0	0	90	90	100
Tele 2	0	0	45	45	45	90	45	0	0	45	90	90	90	100	90	90	100
Tele 3	0	0	0	0	45	0	45	90	100	45	90	45	90	100	90	90	100
Tele 4	0	0	0	0	45	0	45	90	100	45	45	45	90	100	45	90	100

Remarks

Special boom extension sequence

Lifting capacities main boom

24,300 lb



360°

85%

Radius (ft)	Main boom																
	48.2	64.6	80.7	97.4	97.4	113.2	113.2	113.2	120.1	129.9	129.9	146.0	146.0	156.2	162.1	178.2	193.6
	1,000 lb																
10	418.9	352.7	--	--	--	--	--	--	--	--	--	--	--	--	--	--	--
11	357.1	352.7	308.6	--	--	--	--	--	--	--	--	--	--	--	--	--	--
13	313.1	313.1	308.6	242.5	178.6	--	--	82.7	--	--	--	--	--	--	--	--	--
15	277.8	277.8	277.8	242.5	178.6	--	--	81.6	--	--	--	--	--	--	--	--	--
16	251.3	251.3	244.7	213.8	178.6	--	--	80.5	66.1	--	100.3	--	--	--	--	--	--
19	209.4	199.5	181.9	162.0	169.8	149.9	160.9	79.4	66.1	--	100.3	--	80.5	--	--	--	--
23	167.6	153.2	142.2	127.9	145.5	120.2	130.1	78.3	66.1	117.9	100.3	--	79.4	63.9	--	--	--
26	124.6	119.0	114.6	101.4	120.2	94.8	106.9	76.1	63.7	94.8	99.2	88.2	78.3	63.9	--	--	--
29	97.0	91.5	91.5	80.5	99.2	76.1	87.1	73.9	61.5	78.3	87.1	72.8	77.2	63.9	70.5	--	--
33	75.0	69.4	70.5	65.9	82.7	62.8	72.8	71.7	59.1	65.5	73.9	61.7	71.7	63.9	60.0	59.1	--
39	--	43.4	44.8	41.9	57.1	43.4	52.2	61.9	54.9	47.4	55.1	45.0	54.9	53.6	44.1	44.3	42.5
46	--	28.7	29.8	27.1	40.6	28.4	36.4	45.0	47.2	33.7	41.2	33.5	43.0	42.1	33.3	34.0	32.6
52	--	19.4	20.1	17.6	30.2	19.0	26.2	34.2	36.2	23.6	30.6	24.0	32.6	33.3	24.5	25.6	24.9
59	--	--	13.4	10.4	22.9	11.7	19.2	26.7	28.7	16.8	23.4	16.8	25.1	25.8	17.4	18.5	18.1
65	--	--	7.7	4.6	17.6	6.0	13.9	20.9	22.9	11.2	17.9	11.2	19.6	20.3	12.1	13.2	13.0
72	--	--	--	--	13.4	--	9.5	16.8	18.7	6.6	13.9	7.3	15.4	16.1	7.9	9.3	9.0
79	--	--	--	--	10.4	--	5.7	13.4	15.4	--	10.6	3.5	12.1	12.8	4.6	6.0	6.0
85	--	--	--	--	--	--	--	10.8	12.6	--	7.5	--	9.5	9.9	--	3.3	3.3
92	--	--	--	--	--	--	--	8.6	10.4	--	4.9	--	6.8	7.5	--	--	--
98	--	--	--	--	--	--	--	6.6	8.4	--	--	--	4.6	5.3	--	--	--
105	--	--	--	--	--	--	--	--	6.6	--	--	--	--	3.3	--	--	--

Boom extension sequence %

Tele 1	0	45	45	90	0	90	45	0	0	90	0	90	0	0	90	90	100
Tele 2	0	0	45	45	45	90	45	0	0	45	90	90	90	100	90	90	100
Tele 3	0	0	0	0	45	0	45	90	100	45	90	45	90	100	90	90	100
Tele 4	0	0	0	0	45	0	45	90	100	45	45	45	90	100	45	90	100

Remarks

Special boom extension sequence

Lifting capacities main boom

0 lb



360°

85%

Main boom																	
Radius (ft)	48.2	64.6	80.7	97.4	97.4	113.2	113.2	113.2	120.1	129.9	129.9	146.0	146.0	156.2	162.1	178.2	193.6
1,000 lb																	
10	381.4	352.7	--	--	--	--	--	--	--	--	--	--	--	--	--	--	--
11	326.3	326.3	308.6	--	--	--	--	--	--	--	--	--	--	--	--	--	--
13	286.6	286.6	277.8	231.5	178.6	--	--	82.7	--	--	--	--	--	--	--	--	--
15	253.5	253.5	224.9	191.8	178.6	--	--	81.6	--	--	--	--	--	--	--	--	--
16	229.3	210.5	187.4	160.9	178.6	--	--	80.5	66.1	--	100.3	--	--	--	--	--	--
19	177.5	149.9	135.6	113.5	137.8	101.4	116.8	79.4	66.1	--	100.3	--	80.5	--	--	--	--
23	129.0	104.7	94.8	80.5	102.5	73.9	87.1	78.3	66.1	75.0	84.9	--	79.4	63.9	--	--	--
26	89.3	76.1	70.5	60.2	79.4	56.4	67.2	76.1	63.7	58.9	68.3	54.5	66.1	63.9	--	--	--
29	62.6	56.0	54.0	45.9	63.7	43.4	54.5	65.5	61.5	47.0	55.8	43.7	54.7	52.9	42.1	--	--
33	46.3	40.3	42.1	35.5	52.2	34.0	44.1	54.7	54.9	37.9	46.1	35.3	45.9	44.5	34.6	34.8	--
39	--	22.3	23.6	20.7	35.9	20.7	30.0	39.7	40.3	25.1	32.8	23.6	33.3	32.4	23.4	24.3	23.1
46	--	11.5	12.8	9.5	24.0	10.8	19.8	28.4	30.6	15.7	23.8	15.0	24.7	24.3	15.2	16.1	15.2
52	--	4.0	4.9	--	16.5	3.5	12.6	20.5	22.7	8.4	16.8	7.9	17.9	17.9	8.4	9.5	8.8
59	--	--	--	--	11.5	--	6.6	15.0	17.2	3.3	11.2	--	12.6	12.6	3.5	4.9	4.4
65	--	--	--	--	7.1	--	--	11.0	13.0	--	7.3	--	8.4	8.6	--	--	--
72	--	--	--	--	3.5	--	--	7.7	9.9	--	4.0	--	5.3	5.5	--	--	--
79	--	--	--	--	--	--	--	4.9	7.3	--	--	--	--	3.1	--	--	--
85	--	--	--	--	--	--	--	--	4.9	--	--	--	--	--	--	--	--

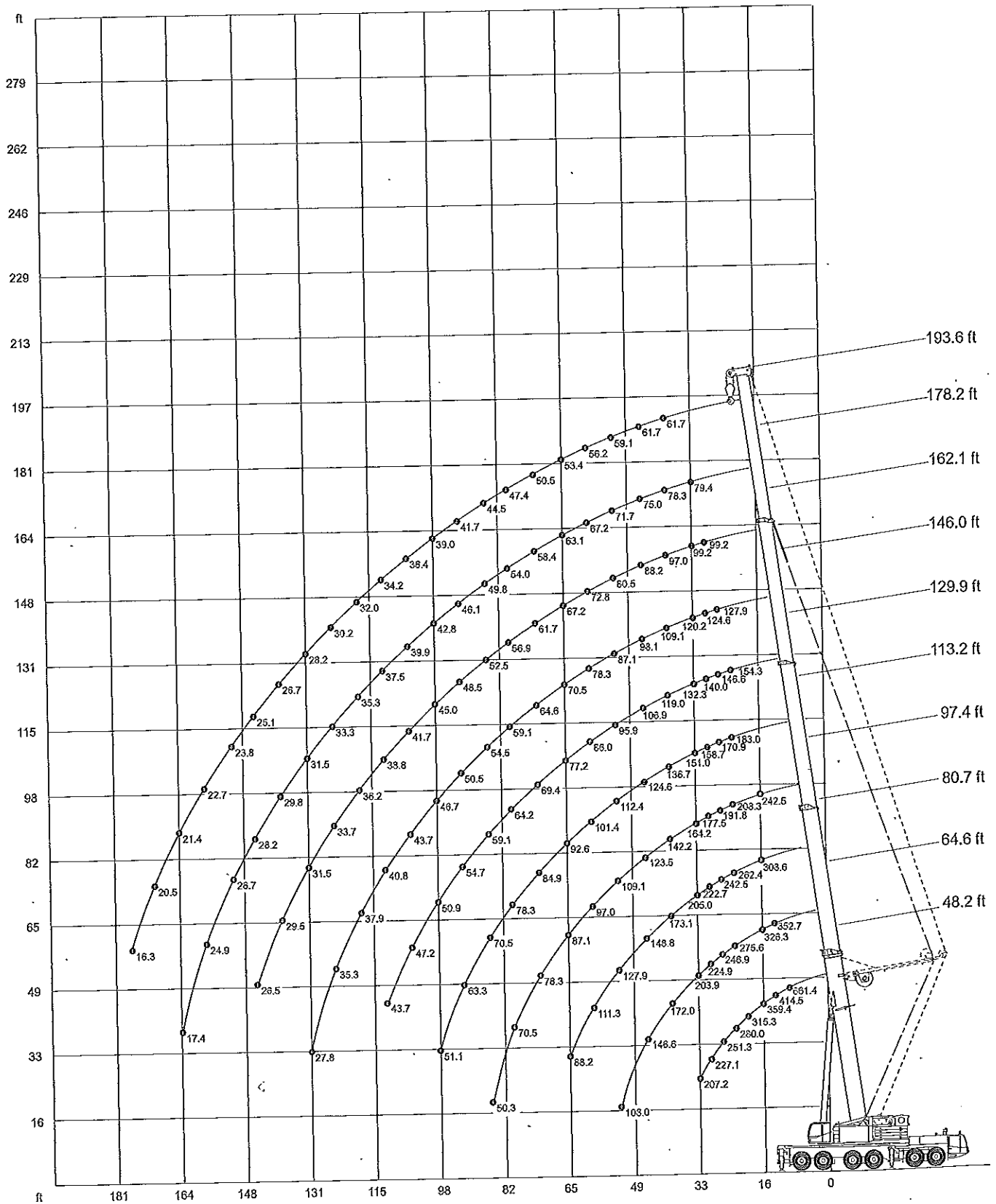
Boom extension sequence %

Tele 1	0	45	45	90	0	90	45	0	0	90	0	90	0	0	90	90	100
Tele 2	0	0	45	45	45	90	45	0	0	45	90	90	90	100	90	90	100
Tele 3	0	0	0	0	45	0	45	90	100	-45	90	45	90	100	90	90	100
Tele 4	0	0	0	0	45	0	45	90	100	45	45	45	90	100	45	90	100

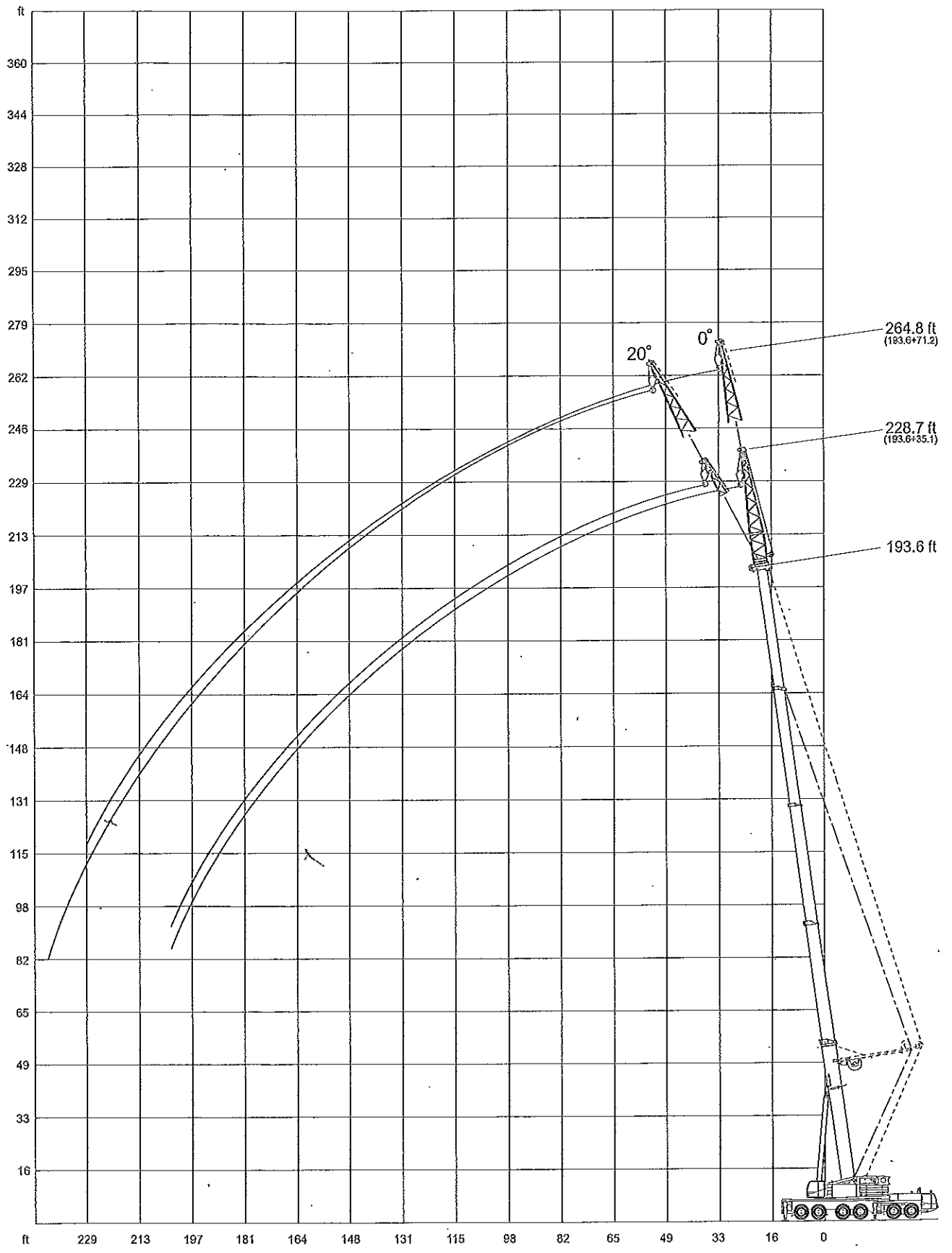
Remarks

Special boom extension sequence

Working ranges main boom



Working ranges main boom extension



Lifting capacities main boom extension with/without Superlift

Main boom: 193.6 ft

 360°

85%

		Extension 35.1 ft							
		220,500 lb		220,500 lb		116,800 lb		24,300 lb	
		with SL		without SL		without SL		without SL	
		0°	20°	0°	20°	0°	20°	0°	20°
Radius (ft)	1,000 lb	1,000 lb							
39	39.7	--		41.4	--	41.4	--	39.9	--
46	39.7	--		40.1	--	40.1	--	31.1	--
52	39.0	--		38.4	33.3	38.4	33.3	24.5	28.7
59	38.1	--		36.6	32.0	36.6	32.0	18.3	22.7
65	37.5	--		34.8	30.4	34.8	30.4	13.2	17.2
72	36.8	--		33.3	29.3	33.3	29.3	9.3	12.8
79	35.9	--		31.7	28.0	31.7	28.0	6.2	9.3
85	35.3	--		30.2	26.9	30.2	26.9	3.7	6.4
92	34.4	--		28.9	25.8	28.9	25.8	--	4.2
98	33.5	--		27.6	24.9	27.6	24.9	--	--
105	32.4	--		26.2	24.0	26.2	24.0	--	--
111	31.5	--		25.1	23.1	25.1	23.1	--	--
118	30.2	--		24.0	22.5	22.3	22.5	--	--
124	29.1	--		22.9	21.6	19.6	21.2	--	--
131	27.8	--		22.0	20.9	17.2	18.7	--	--
138	26.5	--		21.2	20.3	15.0	16.3	--	--
144	25.1	--		20.3	19.6	13.0	14.3	--	--
151	23.8	--		19.6	19.2	11.2	12.3	--	--
157	22.3	--		18.7	18.5	9.5	10.6	--	--
164	20.9	--		18.1	18.1	8.2	9.0	--	--
171	19.6	--		17.4	17.4	6.8	7.7	--	--
177	18.3	--		16.5	16.8	5.5	6.4	--	--
184	17.0	--		15.9	16.1	4.4	5.1	--	--
190	15.9	--		15.2	15.4	3.5	4.0	--	--
197	14.8	--		14.3	14.6	--	3.1	--	--
203	13.0	--		13.4	13.7	--	--	--	--

Lifting capacities main boom extension with/without Superlift

Main boom: 193.6 ft

 **360°**

85%

		Extension 71.2 ft							
		220,500 lb				116,800 lb			
		with SL		without SL		without SL		24,300 lb	
		0° 20°		0° 20°		0° 20°		0° 20°	
Radius (ft)	1,000 lb	1,000 lb							
46	26.9	-	-	29.1	-	29.1	-	29.1	-
52	26.2	-	-	29.1	-	29.1	-	24.3	-
59	25.4	-	-	27.1	-	27.1	-	18.7	-
66	24.7	-	-	25.4	-	25.4	-	13.9	-
72	24.0	-	-	23.8	18.7	23.8	18.7	9.9	16.8
79	23.4	-	-	22.5	18.1	22.5	18.1	6.8	13.0
85	22.7	-	-	21.4	17.4	21.4	17.4	4.4	9.9
92	22.0	-	-	20.3	16.8	20.3	16.8	-	7.3
98	21.6	-	-	19.2	16.1	19.2	16.1	-	4.9
105	21.2	-	-	18.3	15.4	18.3	15.4	-	3.1
111	20.7	-	-	17.6	15.0	17.6	15.0	-	-
118	20.3	-	-	16.8	14.3	16.8	14.3	-	-
124	20.1	-	-	16.1	13.9	16.1	13.9	-	-
131	19.6	-	-	15.4	13.4	15.4	13.4	-	-
138	19.4	-	-	15.0	13.0	15.0	13.0	-	-
144	19.0	-	-	14.3	12.6	14.1	12.6	-	-
151	18.7	-	-	13.9	12.1	12.1	12.1	-	-
157	18.3	-	-	13.4	11.9	10.6	11.9	-	-
164	18.1	-	-	13.0	11.5	9.0	11.5	-	-
171	17.9	-	-	12.6	11.0	7.7	9.9	-	-
177	17.4	-	-	12.1	10.8	6.6	8.4	-	-
184	17.2	-	-	11.7	10.4	5.3	7.1	-	-
190	17.0	-	-	11.5	10.1	4.4	6.0	-	-
197	16.9	-	-	11.0	9.9	3.3	4.9	-	-
203	14.3	-	-	10.6	9.7	-	3.7	-	-
210	13.2	-	-	10.4	9.5	-	-	-	-
216	12.1	-	-	9.9	9.3	-	-	-	-
223	11.0	-	-	9.5	9.0	-	-	-	-
229	9.9	-	-	9.3	8.8	-	-	-	-
243	-	-	-	-	8.4	-	-	-	-

Lifting capacities fixed fly jib with Superlift

Main boom: 178.2 ft¹⁾

220,500 lb 360° 85%

Radius (ft)	Main boom							
	65.6		98.4		105.0		134.5	
	3°	20°	3°	20°	3°	20°	3°	20°
ft	1,000 lb							
46	28.0	--	--	--	--	--	--	--
52	27.3	--	20.7	--	--	--	--	--
59	26.7	--	20.3	--	18.1	--	11.2	--
65	26.0	23.8	20.1	--	17.6	--	11.0	--
72	25.4	22.9	19.6	--	17.4	--	10.8	--
79	24.9	22.0	19.2	--	17.0	--	10.8	--
85	24.3	21.2	18.7	16.8	16.5	--	10.6	--
92	23.6	20.3	18.3	16.5	16.3	15.2	10.4	--
98	22.9	19.6	17.9	16.1	15.9	14.8	10.1	--
105	22.3	19.0	17.4	15.7	15.4	14.3	9.9	8.4
111	21.6	18.5	17.0	15.2	15.0	13.9	9.9	8.4
118	21.2	17.9	16.3	14.8	14.6	13.4	9.7	8.2
124	20.5	17.4	15.9	14.3	14.1	13.2	9.5	7.9
131	19.8	17.0	15.4	13.9	13.7	12.8	9.3	7.9
138	19.2	16.5	15.0	13.4	13.2	12.3	9.0	7.7
144	18.7	16.1	14.6	13.0	12.8	11.9	8.8	7.5
151	18.1	15.7	14.1	12.6	12.3	11.5	8.8	7.3
157	17.4	15.2	13.7	12.1	12.1	11.0	8.6	7.1
164	16.8	14.8	13.2	11.7	11.7	10.8	8.4	6.8
170	16.3	14.3	12.6	11.5	11.2	10.4	8.2	6.8
177	15.7	14.1	12.1	11.0	10.8	10.1	7.9	6.6
184	14.6	13.7	11.7	10.6	10.4	9.7	7.7	6.4
190	13.0	13.2	11.2	10.4	9.9	9.5	7.7	6.2
197	11.5	12.8	10.8	9.9	9.7	9.0	7.5	6.0
203	10.1	11.2	10.6	9.7	9.3	8.8	7.3	5.7
210	8.8	9.9	10.1	9.5	8.8	8.6	7.1	5.7
216	7.7	8.6	9.0	9.3	8.6	8.4	6.8	5.5
223	6.6	7.3	7.9	8.8	8.2	7.9	6.6	5.3
229	4.6	6.0	6.8	8.4	7.3	7.7	6.6	5.3
243	--	--	5.1	6.2	5.3	6.6	5.7	4.9
256	--	--	--	4.2	3.7	4.6	4.0	4.6
269	--	--	--	--	--	--	--	4.0

Remarks

1) plus 9.8 ft adapter

167,800 lb 360° 85%

Radius (ft)	Main boom							
	65.6		98.4		105.0		134.5	
	3°	20°	3°	20°	3°	20°	3°	20°
ft	1,000 lb							
46	28.0	--	--	--	--	--	--	--
52	27.3	--	20.7	--	--	--	--	--
59	26.7	--	20.3	--	18.1	--	11.2	--
65	26.0	23.8	20.1	--	17.6	--	11.0	--
72	25.4	22.9	19.6	--	17.4	--	10.8	--
79	24.9	22.0	19.2	--	17.0	--	10.8	--
85	24.3	21.2	18.7	16.8	16.5	--	10.6	--
92	23.6	20.3	18.3	16.5	16.3	15.2	10.4	--
98	22.9	19.6	17.9	16.1	15.9	14.8	10.1	--
105	22.3	19.0	17.4	15.7	15.4	14.3	9.9	8.4
111	21.6	18.5	17.0	15.2	15.0	13.9	9.9	8.4
118	21.2	17.9	16.3	14.8	14.6	13.4	9.7	8.2
124	20.5	17.4	15.9	14.3	14.1	13.2	9.5	7.9
131	19.8	17.0	15.4	13.9	13.7	12.8	9.3	7.9
138	19.2	16.5	15.0	13.4	13.2	12.3	9.0	7.7
144	18.7	16.1	14.6	13.0	12.8	11.9	8.8	7.5
151	16.5	15.7	14.1	12.6	12.3	11.5	8.8	7.3
157	14.6	15.2	13.7	12.1	12.1	11.0	8.6	7.1
164	12.6	14.6	13.2	11.7	11.7	10.8	8.4	6.8
170	10.8	12.8	12.3	11.5	11.2	10.4	8.2	6.8
177	9.3	11.0	10.8	11.0	10.8	10.1	7.9	6.6
184	7.7	9.3	9.3	10.6	9.9	9.7	7.7	6.4
190	6.4	7.7	7.9	10.4	8.6	9.5	7.7	6.2
197	5.3	6.4	6.6	8.8	7.3	9.0	7.5	6.0
203	4.0	5.1	5.5	7.5	6.0	8.2	6.4	5.7
210	--	4.0	4.4	6.4	4.9	7.1	5.3	5.7
216	--	--	3.3	5.1	3.7	5.7	4.2	5.5
223	--	--	--	4.0	--	4.6	3.1	5.3
229	--	--	--	--	--	3.5	--	4.6
243	--	--	--	--	--	--	--	--
256	--	--	--	--	--	--	--	--
269	--	--	--	--	--	--	--	--

Lifting capacities fixed fly jib with Superlift

Main boom: 178.2 ft¹⁾

116,800 lb   360° 85%

Radius (ft)	Main boom							
	65.6		98.4		105.0		134.5	
	3°	20°	3°	20°	3°	20°	3°	20°
ft	1,000 lb							
46	28.0	--	--	--	--	--	--	--
52	27.3	--	20.7	--	--	--	--	--
59	26.7	--	20.3	--	18.1	--	11.2	--
65	26.0	23.8	20.1	--	17.6	--	11.0	--
72	25.4	22.9	19.6	--	17.4	--	10.8	--
79	24.9	22.0	19.2	--	17.0	--	10.8	--
85	24.3	21.2	18.7	16.8	16.5	--	10.6	--
92	23.6	20.3	18.3	16.5	16.3	15.2	10.4	--
98	22.9	19.6	17.9	16.1	15.9	14.8	10.1	--
105	22.3	19.0	17.4	15.7	15.4	14.3	9.9	8.4
111	21.6	18.5	17.0	15.2	15.0	13.9	9.9	8.4
118	19.4	17.9	16.3	14.8	14.6	13.4	9.7	8.2
124	16.5	17.4	15.9	14.3	14.1	13.2	9.5	7.9
131	14.1	17.0	15.4	13.9	13.7	12.8	9.3	7.9
138	11.7	14.6	13.2	13.4	13.2	12.3	9.0	7.7
144	9.7	12.3	11.2	13.0	11.9	11.9	8.8	7.5
151	7.9	10.1	9.3	12.6	10.1	11.5	8.8	7.3
157	6.2	8.4	7.7	11.2	8.4	11.0	8.6	7.1
164	4.6	6.6	6.2	9.5	6.8	10.1	7.1	6.8
170	3.3	5.1	4.6	7.7	5.5	8.6	5.7	6.8
177	--	3.7	3.5	6.2	4.0	7.1	4.4	6.6
184	--	--	--	4.9	--	5.7	3.1	6.4
190	--	--	--	3.5	--	4.4	--	5.5
197	--	--	--	--	--	--	--	4.4
203	--	--	--	--	--	--	--	3.1

Remarks

¹⁾ plus 9.8 ft adapter

Lifting Capacities fixed fly jib

Main boom: 178.2 ft¹⁾

220,500 lb  **360° 85%**

Radius (ft)	Main boom							
	65.6		98.4		105.0		134.5	
	3°	20°	3°	20°	3°	20°	3°	20°
ft	1,000 lb							
59	25.4	--	--	--	--	--	--	--
65	23.6	--	19.0	--	--	--	--	--
72	22.0	18.5	17.6	--	16.8	--	--	--
79	20.7	17.4	16.5	--	15.7	--	11.7	--
85	19.4	16.5	15.4	--	14.8	--	11.0	--
92	18.3	15.7	14.3	11.9	13.9	--	10.4	--
98	17.2	15.0	13.4	11.2	13.0	10.8	9.9	--
105	16.3	14.1	12.6	10.6	12.1	10.1	9.3	--
111	15.4	13.4	11.7	10.1	11.5	9.5	8.8	7.7
118	14.6	13.0	11.0	9.7	10.6	9.0	8.4	7.3
124	13.9	12.3	10.4	9.0	9.9	8.4	7.9	6.8
131	13.2	11.9	9.7	8.6	9.5	7.9	7.5	6.4
138	12.6	11.2	9.3	8.2	8.8	7.5	7.1	6.2
144	11.9	10.8	8.8	7.9	8.4	7.3	6.6	5.7
151	11.5	10.4	8.2	7.5	7.7	6.8	6.2	5.5
157	10.8	9.9	7.7	7.1	7.3	6.6	6.0	5.1
164	10.4	9.5	7.5	6.6	6.8	6.2	5.5	4.9
170	9.9	9.3	7.1	6.4	6.6	6.0	5.3	4.4
177	9.5	8.8	6.6	6.2	6.2	5.7	4.9	4.2
184	9.0	8.4	6.4	5.7	5.7	5.3	4.6	4.0
190	8.6	8.2	6.0	5.5	5.5	5.1	4.2	3.7
197	8.4	7.7	5.7	5.3	5.3	4.9	4.0	3.5
203	7.9	7.5	5.5	5.1	4.9	4.6	3.7	3.3
210	7.5	7.1	5.3	4.9	4.6	4.4	3.3	--
216	7.3	--	5.1	4.6	4.4	4.2	3.1	--
223	6.8	--	4.9	4.4	4.2	4.0	--	--
229	6.2	--	4.6	4.2	4.0	3.7	--	--
243	--	--	4.2	--	3.5	3.5	--	--
256	--	--	3.7	--	3.1	--	--	--

Remarks

1) plus 9.8 ft adapter

167,600 lb  **360° 85%**

Radius (ft)	Main boom							
	65.6		98.4		105.0		134.5	
	3°	20°	3°	20°	3°	20°	3°	20°
ft	1,000 lb							
59	25.4	--	--	--	--	--	--	--
65	23.6	--	19.0	--	--	--	--	--
72	22.0	18.5	17.6	--	16.8	--	--	--
79	20.7	17.4	16.5	--	15.7	--	11.7	--
85	19.4	16.5	15.4	--	14.8	--	11.0	--
92	18.3	15.7	14.3	11.9	13.9	--	10.4	--
98	17.2	15.0	13.4	11.2	13.0	10.8	9.9	--
105	16.3	14.1	12.6	10.6	12.1	10.1	9.3	--
111	15.4	13.4	11.7	10.1	11.5	9.5	8.8	7.7
118	14.6	13.0	11.0	9.7	10.6	9.0	8.4	7.3
124	13.9	12.3	10.4	9.0	9.9	8.4	7.9	6.8
131	13.2	11.9	9.7	8.6	9.5	7.9	7.5	6.4
138	12.6	11.2	9.3	8.2	8.8	7.5	7.1	6.2
144	11.9	10.8	8.8	7.9	8.4	7.3	6.6	5.7
151	11.5	10.4	8.2	7.5	7.7	6.8	6.2	5.5
157	10.8	9.9	7.7	7.1	7.3	6.6	6.0	5.1
164	10.4	9.5	7.5	6.6	6.8	6.2	5.5	4.9
170	9.9	9.3	7.1	6.4	6.6	6.0	5.3	4.4
177	9.5	8.8	6.6	6.2	6.2	5.7	4.9	4.2
184	8.4	8.4	6.4	5.7	5.7	5.3	4.6	4.0
190	7.1	8.2	6.0	5.5	5.5	5.1	4.2	3.7
197	6.0	7.1	5.7	5.3	5.3	4.9	4.0	3.5
203	4.6	5.7	5.5	5.1	4.9	4.6	3.7	3.3
210	3.7	4.6	4.9	4.9	4.6	4.4	3.3	--
216	--	--	4.0	4.6	4.4	4.2	3.1	--
223	--	--	--	4.4	3.3	4.0	--	--
229	--	--	--	3.5	--	3.7	--	--
243	--	--	--	--	--	--	--	--
256	--	--	--	--	--	--	--	--

Lifting capacities fixed tly jib

Main boom: 178.2 ft¹⁾

116,800 lb 360° 85%

Radius (ft)	Main boom							
	65.6		98.4		105.0		134.5	
	3°	20°	3°	20°	3°	20°	3°	20°
ft	1,000 lb							
59	25.4	-	-	-	-	-	-	-
65	23.6	-	19.0	-	-	-	-	-
72	22.0	18.5	17.6	-	16.8	-	-	-
79	20.7	17.4	16.5	-	15.7	-	11.7	-
85	19.4	16.5	15.4	-	14.8	-	11.0	-
92	18.3	15.7	14.3	11.9	13.9	-	10.4	-
98	17.2	15.0	13.4	11.2	13.0	10.8	9.9	-
105	16.3	14.1	12.6	10.6	12.1	10.1	9.3	-
111	15.4	13.4	11.7	10.1	11.5	9.5	8.8	7.7
118	14.6	13.0	11.0	9.7	10.6	9.0	8.4	7.3
124	13.9	12.3	10.4	9.0	9.9	8.4	7.9	6.8
131	13.2	11.9	9.7	8.6	9.5	7.9	7.5	6.4
138	11.9	11.2	9.3	8.2	8.8	7.5	7.1	6.2
144	9.9	10.8	8.8	7.9	8.4	7.3	6.6	5.7
151	8.2	10.4	8.2	7.5	7.7	6.8	6.2	5.5
157	6.4	8.6	7.7	7.1	7.3	6.6	6.0	5.1
164	4.9	6.8	6.4	6.6	6.8	6.2	5.5	4.9
170	3.5	5.3	4.9	6.4	5.5	6.0	5.3	4.4
177	-	4.0	3.7	6.2	4.2	5.7	4.4	4.2
184	-	-	-	5.1	-	5.3	3.3	4.0
190	-	-	-	3.7	-	4.4	-	3.7
197	-	-	-	-	-	3.3	-	3.5
203	-	-	-	-	-	-	-	3.3

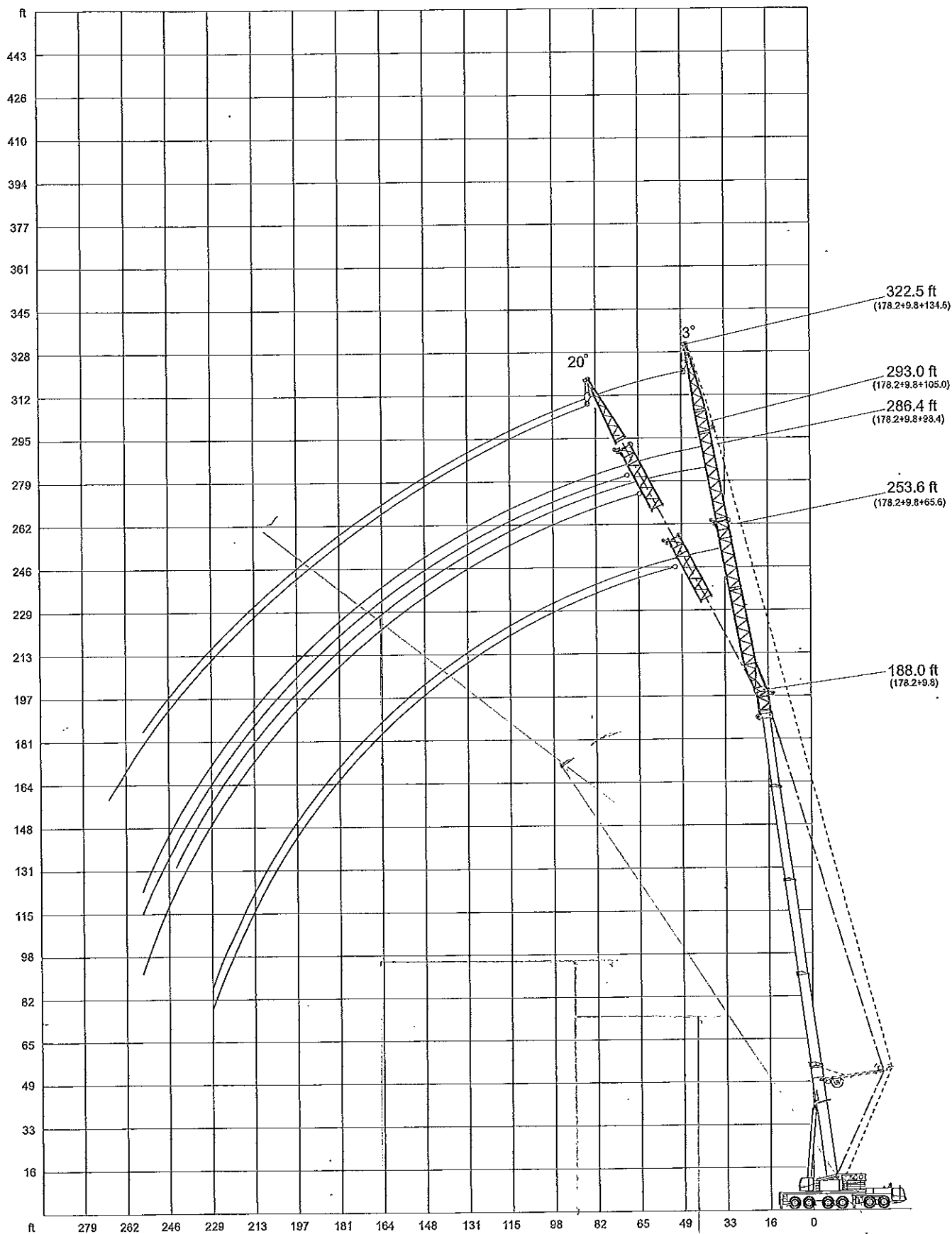
Remarks

¹⁾ plus 9.8 ft adapter

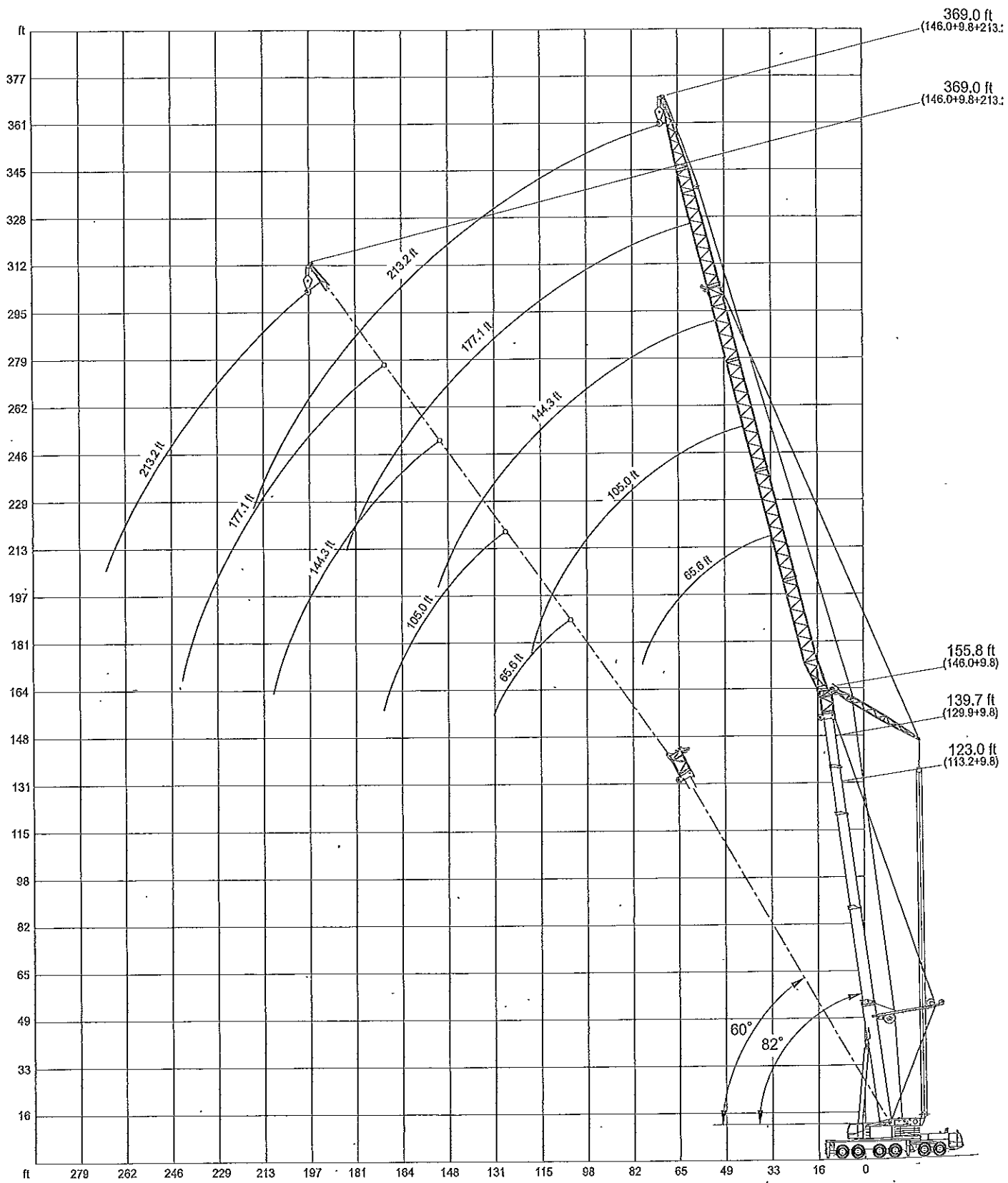
68,400 lb 360° 85%

Radius (ft)	Main boom							
	65.6		98.4		105.0		134.5	
	3°	20°	3°	20°	3°	20°	3°	20°
ft	1,000 lb							
59	25.4	-	-	-	-	-	-	-
65	23.6	-	19.0	-	-	-	-	-
72	22.0	18.5	17.6	-	16.8	-	-	-
79	20.7	17.4	16.5	-	15.7	-	11.7	-
85	19.4	16.5	15.4	-	14.8	-	11.0	-
92	17.4	15.7	14.3	11.9	13.9	-	10.4	-
98	14.6	15.0	13.4	11.2	13.0	10.8	9.9	-
105	11.5	14.1	12.1	10.6	12.1	10.1	9.3	-
111	8.8	12.6	9.7	10.1	10.6	9.5	8.8	7.7
118	6.6	9.9	7.5	9.7	8.2	9.0	7.9	7.3
124	4.6	7.7	5.5	9.0	6.2	8.4	6.0	6.8
131	-	5.7	3.7	8.2	4.4	7.9	4.2	6.4
138	-	4.0	-	6.2	-	7.1	-	6.2
144	-	-	-	4.6	-	5.3	-	5.7
151	-	-	-	3.1	-	3.7	-	4.6
157	-	-	-	-	-	-	-	3.3
164	-	-	-	-	-	-	-	-
170	-	-	-	-	-	-	-	-
177	-	-	-	-	-	-	-	-
184	-	-	-	-	-	-	-	-
190	-	-	-	-	-	-	-	-
197	-	-	-	-	-	-	-	-
203	-	-	-	-	-	-	-	-

Working ranges fixed fly jib



Working ranges lifting fly jib with SL, main boom 82° to 60°



Lifting capacities luffing fly jib with SL, main boom 82° to 60°

Main boom: 113.2 ft¹⁾

220,500 lb



360°

75%

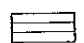

Radius	Fly jib																			
	65.6 ft				105.0 ft				144.3 ft				177.1 ft				213.2 ft			
	82°	73°	65°	60°	82°	73°	65°	60°	82°	73°	65°	60°	82°	73°	65°	60°	82°	73°	65°	60°
	1,000 lb																			
46	43.4	-	-	-	-	-	-	-	-	-	-	-	-	-	-	-	-	-	-	-
52	43.4	-	-	-	30.9	-	-	-	-	-	-	-	-	-	-	-	-	-	-	-
59	43.4	-	-	-	30.9	-	-	-	-	-	-	-	-	-	-	-	-	-	-	-
65	43.4	-	-	-	30.9	-	-	-	22.5	-	-	-	-	-	-	-	-	-	-	-
72	43.4	43.4	-	-	30.9	-	-	-	22.5	-	-	-	18.1	-	-	-	-	-	-	-
79	-	43.4	-	-	30.9	-	-	-	22.5	-	-	-	18.1	-	-	-	-	-	-	-
85	-	43.4	-	-	30.9	-	-	-	22.5	-	-	-	18.1	-	-	-	12.3	-	-	-
92	-	43.4	43.4	-	30.9	30.9	-	-	22.5	-	-	-	18.1	-	-	-	12.3	-	-	-
98	-	-	43.4	-	30.9	30.9	-	-	22.5	-	-	-	18.1	-	-	-	12.3	-	-	-
105	-	-	43.4	43.4	30.9	30.9	-	-	22.5	22.5	-	-	18.1	-	-	-	12.3	-	-	-
111	-	-	-	40.3	30.9	30.9	-	-	22.5	22.5	-	-	18.1	-	-	-	12.3	-	-	-
118	-	-	-	37.7	-	30.9	30.9	-	22.5	22.5	-	-	18.1	18.1	-	-	12.3	-	-	-
124	-	-	-	-	-	30.9	30.9	-	22.5	22.5	-	-	18.1	18.1	-	-	12.3	-	-	-
131	-	-	-	-	-	30.9	30.9	30.9	22.5	22.5	-	-	18.1	18.1	-	-	12.3	12.3	-	-
138	-	-	-	-	-	-	30.9	29.3	22.5	22.5	22.5	-	18.1	18.1	-	-	12.3	12.3	-	-
144	-	-	-	-	-	-	-	30.4	27.6	22.5	22.5	22.5	-	18.1	18.1	-	-	12.3	12.3	-
151	-	-	-	-	-	-	-	26.0	22.5	22.5	22.5	-	18.1	18.1	-	-	12.3	12.3	-	-
157	-	-	-	-	-	-	-	24.7	-	22.5	22.5	22.3	18.1	18.1	18.1	-	12.3	12.3	-	-
164	-	-	-	-	-	-	-	-	-	22.5	22.5	20.9	18.1	18.1	18.1	-	12.3	12.3	-	-
171	-	-	-	-	-	-	-	-	-	22.5	22.3	19.6	18.1	18.1	18.1	-	12.3	12.3	12.3	-
177	-	-	-	-	-	-	-	-	-	-	21.2	18.5	18.1	18.1	18.1	18.1	12.3	12.3	12.3	-
184	-	-	-	-	-	-	-	-	-	-	20.1	17.6	-	18.1	18.1	17.2	12.3	12.3	12.3	-
190	-	-	-	-	-	-	-	-	-	-	-	16.8	-	18.1	18.1	16.1	12.3	12.3	12.3	-
197	-	-	-	-	-	-	-	-	-	-	-	-	-	18.1	17.6	15.4	12.3	12.3	12.3	-
203	-	-	-	-	-	-	-	-	-	-	-	-	-	-	16.8	14.6	12.3	12.3	12.3	12.3
210	-	-	-	-	-	-	-	-	-	-	-	-	-	-	16.1	13.9	12.3	12.3	12.3	12.3
216	-	-	-	-	-	-	-	-	-	-	-	-	-	-	15.2	13.2	12.3	12.3	12.3	11.5
223	-	-	-	-	-	-	-	-	-	-	-	-	-	-	-	12.6	-	12.3	12.3	11.0
229	-	-	-	-	-	-	-	-	-	-	-	-	-	-	-	-	-	12.3	12.3	10.4
243	-	-	-	-	-	-	-	-	-	-	-	-	-	-	-	-	-	-	11.2	9.3
256	-	-	-	-	-	-	-	-	-	-	-	-	-	-	-	-	-	-	-	8.4

Remarks

1) plus 9.8 ft adapter

Lifting capacities luffing fly jib with SL, main boom 82' to 60'

Main boom: 129.9 ft¹⁾

220,500 lb   **360°** **75%**

Radius	Fly jib																			
	65.6 ft				105.0 ft				144.3 ft				177.1 ft				213.2 ft			
	82°	73°	65°	60°	82°	73°	65°	60°	82°	73°	65°	60°	82°	73°	65°	60°	82°	73°	65°	60°
	1,000 lb																			
46	35.7	-	-	-	-	-	-	-	-	-	-	-	-	-	-	-	-	-	-	-
52	35.7	-	-	-	-	-	-	-	-	-	-	-	-	-	-	-	-	-	-	-
59	35.7	-	-	-	26.9	-	-	-	-	-	-	-	-	-	-	-	-	-	-	-
65	35.7	-	-	-	26.9	-	-	-	-	-	-	-	-	-	-	-	-	-	-	-
72	35.7	-	-	-	26.9	-	-	-	19.6	-	-	-	-	-	-	-	-	-	-	-
79	-	35.7	-	-	26.9	-	-	-	19.6	-	-	-	15.4	-	-	-	-	-	-	-
85	-	35.7	-	-	26.9	-	-	-	19.6	-	-	-	15.4	-	-	-	8.8	-	-	-
92	-	35.7	-	-	26.9	-	-	-	19.6	-	-	-	15.4	-	-	-	8.8	-	-	-
98	-	35.7	35.7	-	26.9	26.9	-	-	19.6	-	-	-	15.4	-	-	-	8.8	-	-	-
105	-	-	35.7	-	26.9	26.9	-	-	19.6	-	-	-	15.4	-	-	-	8.8	-	-	-
111	-	-	35.7	-	26.9	26.9	-	-	19.6	19.6	-	-	15.4	-	-	-	8.8	-	-	-
118	-	-	-	35.7	-	26.9	-	-	19.6	19.6	-	-	15.4	-	-	-	8.8	-	-	-
124	-	-	-	33.5	-	26.9	26.9	-	19.6	19.6	-	-	15.4	15.4	-	-	8.8	-	-	-
131	-	-	-	-	-	26.9	26.9	-	19.6	19.6	-	-	15.4	15.4	-	-	8.8	-	-	-
138	-	-	-	-	-	26.9	26.9	26.9	19.6	19.6	-	-	15.4	15.4	-	-	8.8	8.8	-	-
144	-	-	-	-	-	-	26.9	25.8	19.6	19.6	19.6	-	15.4	15.4	-	-	8.8	8.8	-	-
151	-	-	-	-	-	-	26.9	24.3	19.6	19.6	19.6	-	15.4	15.4	-	-	8.8	8.8	-	-
157	-	-	-	-	-	-	-	22.9	-	19.6	19.6	-	15.4	15.4	-	-	8.8	8.8	-	-
164	-	-	-	-	-	-	-	21.8	-	19.6	19.6	19.2	15.4	15.4	15.4	-	8.8	8.8	-	-
171	-	-	-	-	-	-	-	-	-	19.6	19.6	18.1	15.4	15.4	15.4	-	8.8	8.8	-	-
177	-	-	-	-	-	-	-	-	-	-	19.6	17.0	15.4	15.4	15.4	-	8.8	8.8	-	-
184	-	-	-	-	-	-	-	-	-	-	18.7	16.1	15.4	15.4	15.4	15.4	8.8	8.8	8.8	-
190	-	-	-	-	-	-	-	-	-	-	17.9	15.2	-	15.4	15.4	14.8	8.8	8.8	8.8	-
197	-	-	-	-	-	-	-	-	-	-	-	14.3	-	15.4	15.4	13.9	8.8	8.8	8.8	-
203	-	-	-	-	-	-	-	-	-	-	-	13.7	-	15.4	15.4	13.2	8.8	8.8	8.8	8.8
210	-	-	-	-	-	-	-	-	-	-	-	-	-	15.0	12.6	-	8.8	8.8	8.8	8.8
216	-	-	-	-	-	-	-	-	-	-	-	-	-	14.1	11.9	-	8.8	8.8	8.8	8.8
223	-	-	-	-	-	-	-	-	-	-	-	-	-	13.4	11.2	-	-	8.8	8.8	8.8
229	-	-	-	-	-	-	-	-	-	-	-	-	-	-	10.6	-	-	8.8	8.8	8.8
243	-	-	-	-	-	-	-	-	-	-	-	-	-	-	-	-	-	-	8.8	7.9
256	-	-	-	-	-	-	-	-	-	-	-	-	-	-	-	-	-	-	-	6.4
269	-	-	-	-	-	-	-	-	-	-	-	-	-	-	-	-	-	-	-	6.4

Remarks
1) plus 9.8 ft adapter

Lifting capacities lifting fly jib with SL, main boom 82 to 60

Main boom: 146.0 ft¹⁾

220,500 lb



360°

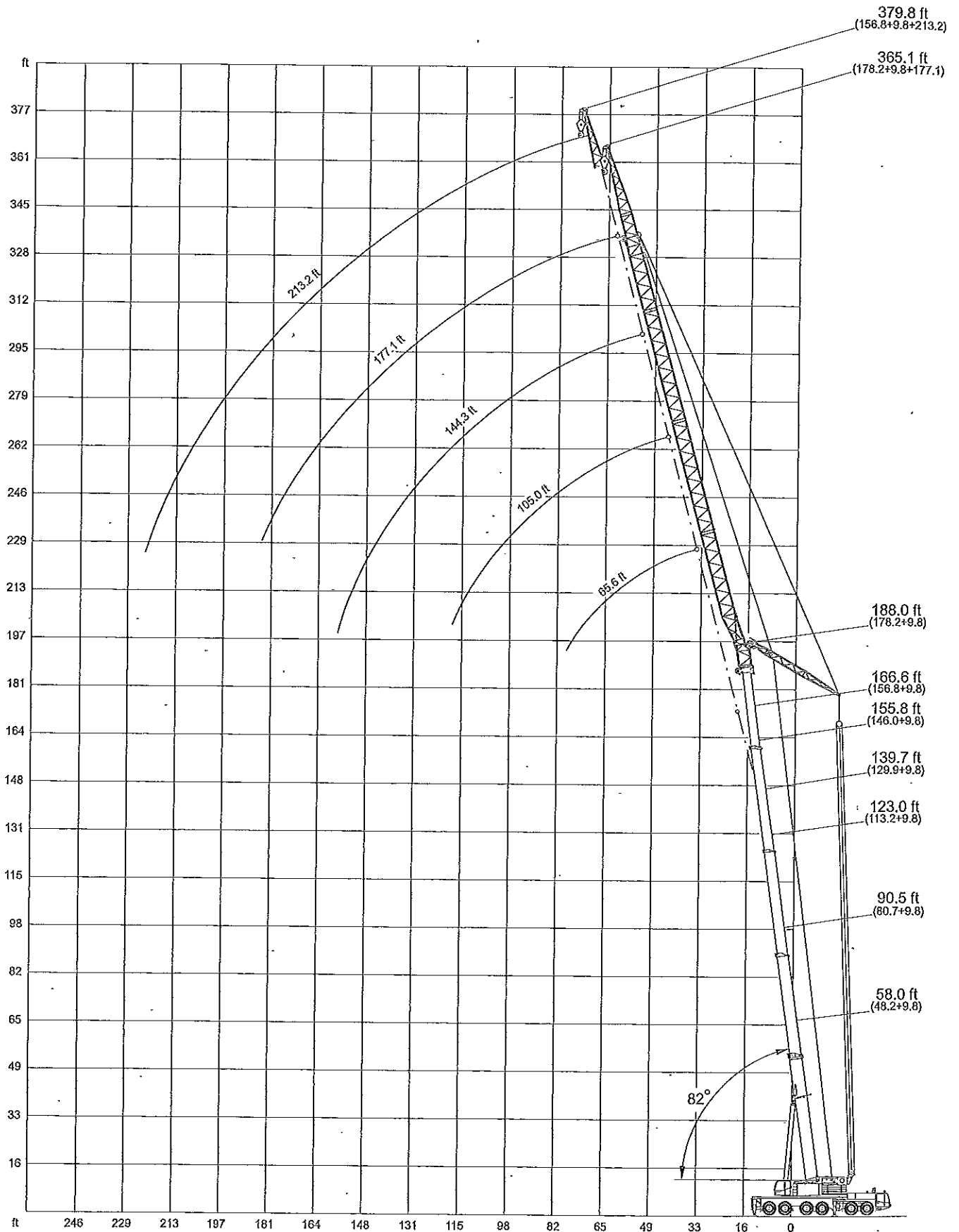
75%

Radius	Fly jib																			
	65.6 ft				105.0 ft				144.3 ft				177.1 ft				213.2 ft			
	82°	73°	65°	60°	82°	73°	65°	60°	82°	73°	65°	60°	82°	73°	65°	60°	82°	73°	65°	60°
	1,000 lb																			
52	31.5	-	-	-	-	-	-	-	-	-	-	-	-	-	-	-	-	-	-	-
59	31.5	-	-	-	23.6	-	-	-	-	-	-	-	-	-	-	-	-	-	-	-
65	31.5	-	-	-	23.6	-	-	-	16.1	-	-	-	-	-	-	-	-	-	-	-
72	31.5	-	-	-	23.6	-	-	-	16.1	-	-	-	11.5	-	-	-	-	-	-	-
79	31.5	31.5	-	-	23.6	-	-	-	16.1	-	-	-	11.5	-	-	-	-	-	-	-
85	-	31.5	-	-	23.6	-	-	-	16.1	-	-	-	11.5	-	-	-	5.5	-	-	-
92	-	31.5	-	-	23.6	-	-	-	16.1	-	-	-	11.5	-	-	-	5.5	-	-	-
98	-	31.5	-	-	23.6	23.6	-	-	16.1	-	-	-	11.5	-	-	-	5.5	-	-	-
105	-	-	31.5	-	23.6	23.6	-	-	16.1	-	-	-	11.5	-	-	-	5.5	-	-	-
111	-	-	31.5	-	23.6	23.6	-	-	16.1	-	-	-	11.5	-	-	-	5.5	-	-	-
118	-	-	31.5	-	23.6	23.6	-	-	16.1	16.1	-	-	11.5	-	-	-	5.5	-	-	-
124	-	-	31.5	31.5	-	23.6	-	-	16.1	16.1	-	-	11.5	-	-	-	5.5	-	-	-
131	-	-	-	29.5	-	23.6	23.6	-	16.1	16.1	-	-	11.5	11.5	-	-	5.5	-	-	-
138	-	-	-	-	-	23.6	23.6	-	16.1	16.1	-	-	11.5	11.5	-	-	5.5	-	-	-
144	-	-	-	-	-	-	23.6	23.6	16.1	16.1	-	-	11.5	11.5	-	-	5.5	5.5	-	-
151	-	-	-	-	-	-	23.6	22.7	16.1	16.1	16.1	-	11.5	11.5	-	-	5.5	5.5	-	-
157	-	-	-	-	-	-	23.6	21.4	-	16.1	16.1	-	11.5	11.5	-	-	5.5	5.5	-	-
164	-	-	-	-	-	-	-	20.3	-	16.1	16.1	-	11.5	11.5	11.5	-	5.5	5.5	-	-
171	-	-	-	-	-	-	-	19.2	-	16.1	16.1	-	11.5	11.5	11.5	-	5.5	5.5	-	-
177	-	-	-	-	-	-	-	-	-	16.1	16.1	15.7	11.5	11.5	11.5	-	5.5	5.5	-	-
184	-	-	-	-	-	-	-	-	-	-	16.1	14.8	11.5	11.5	11.5	-	5.5	5.5	5.5	-
190	-	-	-	-	-	-	-	-	-	-	16.1	13.9	-	11.5	11.5	11.5	5.5	5.5	5.5	-
197	-	-	-	-	-	-	-	-	-	-	-	15.9	13.2	-	11.5	11.5	11.2	5.5	5.5	5.5
203	-	-	-	-	-	-	-	-	-	-	-	-	12.6	-	11.5	11.5	11.2	5.5	5.5	5.5
210	-	-	-	-	-	-	-	-	-	-	-	-	11.9	-	11.5	11.5	11.2	5.5	5.5	5.5
216	-	-	-	-	-	-	-	-	-	-	-	-	-	-	11.5	10.6	5.5	5.5	5.5	5.5
223	-	-	-	-	-	-	-	-	-	-	-	-	-	-	11.5	10.1	-	5.5	5.5	5.5
229	-	-	-	-	-	-	-	-	-	-	-	-	-	-	11.5	9.5	-	5.5	5.5	5.5
243	-	-	-	-	-	-	-	-	-	-	-	-	-	-	-	8.6	-	5.5	5.5	5.5
256	-	-	-	-	-	-	-	-	-	-	-	-	-	-	-	-	-	-	5.5	5.5
269	-	-	-	-	-	-	-	-	-	-	-	-	-	-	-	-	-	-	-	5.3

Remarks

1) plus 9.8 ft adapter

Working ranges luffing fly jib, main boom 82°



Lifting capacities during fly jib, main boom 82' to 65'

Main boom: 48.2 ft¹⁾

220,500 lb



360°

75%

Radius	Fly jib														
	65.6 ft			105.0 ft			144.3 ft			177.1 ft			213.2 ft		
	82°	73°	65°	82°	73°	65°	82°	73°	65°	82°	73°	65°	82°	73°	65°
	1,000 lb														
33	123.5	-	-	-	-	-	-	-	-	-	-	-	-	-	-
39	115.7	-	-	78.3	-	-	-	-	-	-	-	-	-	-	-
46	110.2	103.6	-	76.1	-	-	-	-	-	-	-	-	-	-	-
52	102.5	98.1	-	75.0	-	-	46.1	-	-	-	-	-	-	-	-
59	93.7	92.6	-	72.8	-	-	45.6	-	-	35.1	-	-	-	-	-
65	77.2	87.1	81.6	70.5	68.3	-	45.2	-	-	34.6	-	-	24.0	-	-
72	-	81.6	80.5	67.2	66.1	-	44.3	-	-	34.2	-	-	23.4	-	-
79	-	-	77.2	64.8	63.7	-	43.4	-	-	33.5	-	-	22.7	-	-
85	-	-	-	61.1	61.5	58.9	42.5	42.1	-	32.8	-	-	22.0	-	-
92	-	-	-	56.7	59.5	58.4	41.4	41.4	-	32.2	30.6	-	21.4	-	-
98	-	-	-	51.6	57.5	58.2	40.6	40.8	-	31.5	30.4	-	20.9	-	-
105	-	-	-	-	55.8	55.3	39.5	40.1	40.8	30.6	30.0	-	20.5	20.7	-
111	-	-	-	-	51.4	51.8	38.4	39.7	39.9	30.0	29.5	-	19.8	20.3	-
118	-	-	-	-	-	48.5	37.0	38.6	38.4	29.3	29.3	-	19.4	19.6	-
124	-	-	-	-	-	-	35.5	37.7	36.8	28.4	28.9	28.7	19.2	19.0	-
131	-	-	-	-	-	-	33.1	35.9	34.6	27.8	28.7	28.4	18.7	18.5	-
138	-	-	-	-	-	-	30.6	34.2	32.4	27.1	28.4	28.4	18.3	17.9	18.1
144	-	-	-	-	-	-	-	32.4	30.6	26.5	28.2	28.2	18.1	17.4	17.6
151	-	-	-	-	-	-	-	30.6	28.7	25.8	28.0	28.0	17.9	17.0	17.2
157	-	-	-	-	-	-	-	-	27.6	25.4	27.8	27.8	17.6	16.5	17.0
164	-	-	-	-	-	-	-	-	-	24.9	27.6	27.6	17.4	16.1	16.8
171	-	-	-	-	-	-	-	-	-	20.9	27.3	27.3	17.2	15.9	16.5
177	-	-	-	-	-	-	-	-	-	-	26.7	27.1	16.8	15.7	16.3
184	-	-	-	-	-	-	-	-	-	-	-	26.0	16.1	15.4	15.9
190	-	-	-	-	-	-	-	-	-	-	-	24.9	15.4	15.2	15.7
197	-	-	-	-	-	-	-	-	-	-	-	-	14.6	15.0	15.4
203	-	-	-	-	-	-	-	-	-	-	-	-	13.4	14.8	15.0
210	-	-	-	-	-	-	-	-	-	-	-	-	-	14.3	14.6
216	-	-	-	-	-	-	-	-	-	-	-	-	-	-	14.1

Remarks

1) plus 9.8 ft adapter

Lifting capacities luffing fly jib, main boom 82° to 65°

Main boom: 80.7 ft¹⁾

220,500 lb



360°

75%

Radius	Fly jib														
	65.6 ft			105.0 ft			144.3 ft			177.1 ft			213.2 ft		
	82°	73°	65°	82°	73°	65°	82°	73°	65°	82°	73°	65°	82°	73°	65°
	1,000 lb														
39	102.5	--	--	--	--	--	--	--	--	--	--	--	--	--	--
46	98.1	--	--	71.7	--	--	--	--	--	--	--	--	--	--	--
52	92.6	--	--	69.4	--	--	47.4	--	--	--	--	--	--	--	--
59	88.2	90.4	--	67.2	--	--	45.2	--	--	30.6	--	--	--	--	--
65	83.8	87.1	--	64.8	--	--	43.4	--	--	29.5	--	--	--	--	--
72	--	82.7	--	62.6	61.7	--	41.7	--	--	28.7	--	--	18.1	--	--
79	--	75.0	70.5	60.4	60.6	--	40.3	--	--	27.6	--	--	17.4	--	--
85	--	69.4	65.0	58.2	59.7	--	39.0	--	--	26.7	--	--	16.8	--	--
92	--	--	60.2	55.8	58.9	--	37.7	36.6	--	26.0	--	--	16.3	--	--
98	--	--	--	53.6	58.2	54.2	36.6	36.2	--	25.4	--	--	15.7	--	--
105	--	--	--	51.4	54.2	50.5	35.7	35.5	--	24.7	24.0	--	15.2	--	--
111	--	--	--	--	50.7	46.7	34.8	34.8	--	24.0	24.0	--	15.0	--	--
118	--	--	--	--	47.2	43.4	33.7	34.4	33.1	23.6	23.8	--	14.6	14.1	--
124	--	--	--	--	--	40.8	32.8	34.0	32.4	23.1	23.8	--	14.3	13.9	--
131	--	--	--	--	--	38.1	31.7	32.8	31.7	22.7	23.6	--	13.9	13.9	--
138	--	--	--	--	--	--	30.6	31.7	31.3	22.5	23.4	22.5	13.7	13.7	--
144	--	--	--	--	--	--	29.3	30.0	30.6	22.3	23.4	22.3	13.7	13.7	--
151	--	--	--	--	--	--	--	28.0	30.2	22.0	23.1	22.3	13.4	13.7	--
157	--	--	--	--	--	--	--	27.3	28.4	22.0	23.1	22.0	13.4	13.4	13.2
164	--	--	--	--	--	--	--	--	27.1	21.8	22.9	22.0	13.2	13.4	13.2
171	--	--	--	--	--	--	--	--	25.6	21.8	22.9	22.0	13.2	13.4	13.2
177	--	--	--	--	--	--	--	--	--	21.4	22.7	22.0	13.2	13.4	13.2
184	--	--	--	--	--	--	--	--	--	--	22.7	22.0	13.2	13.4	13.2
190	--	--	--	--	--	--	--	--	--	--	22.5	21.8	13.2	13.4	13.2
197	--	--	--	--	--	--	--	--	--	--	--	20.7	13.2	13.4	13.2
203	--	--	--	--	--	--	--	--	--	--	--	19.8	13.2	13.4	13.2
210	--	--	--	--	--	--	--	--	--	--	--	--	13.2	13.4	13.2
216	--	--	--	--	--	--	--	--	--	--	--	--	--	13.4	13.2
223	--	--	--	--	--	--	--	--	--	--	--	--	--	13.4	13.2
229	--	--	--	--	--	--	--	--	--	--	--	--	--	--	13.2

Remarks

1) plus 9.8 ft adapter

Lifting capacities luffing fly jib, main boom 82° to 65°

Main boom: 48.2 ft¹⁾

167,600 lb



360°

75%

Radius	Fly jib														
	65.6 ft			105.0 ft			144.3 ft			177.1 ft			213.2 ft		
	82°	73°	65°	82°	73°	65°	82°	73°	65°	82°	73°	65°	82°	73°	65°
	1,000 lb														
33	123.5	-	-	-	-	-	-	-	-	-	-	-	-	-	-
39	115.7	-	-	78.3	-	-	-	-	-	-	-	-	-	-	-
46	110.2	103.6	-	76.1	-	-	-	-	-	-	-	-	-	-	-
52	102.5	98.1	-	75.0	-	-	46.1	-	-	-	-	-	-	-	-
59	93.7	92.6	-	72.8	-	-	45.6	-	-	35.1	-	-	-	-	-
65	77.2	87.1	81.6	70.5	68.3	-	45.2	-	-	34.6	-	-	24.0	-	-
72	-	77.2	73.9	67.2	66.1	-	44.3	-	-	34.2	-	-	23.4	-	-
79	-	-	66.1	64.8	63.7	-	43.4	-	-	33.5	-	-	22.7	-	-
85	-	-	-	61.1	61.6	58.9	42.5	42.1	-	32.8	-	-	22.0	-	-
92	-	-	-	56.7	56.4	53.6	41.4	41.4	-	32.2	30.6	-	21.4	-	-
98	-	-	-	51.6	51.8	49.2	40.6	40.8	-	31.5	30.4	-	20.9	-	-
105	-	-	-	-	47.8	45.2	39.5	40.1	40.8	30.6	30.0	-	20.5	20.7	-
111	-	-	-	-	44.3	41.9	38.4	39.7	39.9	30.0	29.5	-	19.8	20.3	-
118	-	-	-	-	-	39.0	37.0	38.6	37.3	29.3	29.3	-	19.4	19.6	-
124	-	-	-	-	-	-	35.5	36.8	34.6	28.4	28.9	28.7	19.2	19.0	-
131	-	-	-	-	-	-	33.1	34.6	32.4	27.8	28.7	28.4	18.7	18.5	-
138	-	-	-	-	-	-	30.6	32.4	30.4	27.1	28.4	28.4	18.3	17.9	18.1
144	-	-	-	-	-	-	-	30.4	28.7	26.5	28.2	28.2	18.1	17.4	17.6
151	-	-	-	-	-	-	-	28.9	26.9	25.8	28.0	26.7	17.9	17.0	17.2
157	-	-	-	-	-	-	-	-	25.6	25.4	26.9	25.1	17.6	16.5	17.0
164	-	-	-	-	-	-	-	-	-	24.9	25.6	23.8	17.4	16.1	16.8
171	-	-	-	-	-	-	-	-	-	20.9	24.3	22.5	17.2	15.9	16.5
177	-	-	-	-	-	-	-	-	-	-	22.9	21.4	16.8	15.7	16.3
184	-	-	-	-	-	-	-	-	-	-	-	20.3	16.1	15.4	15.9
190	-	-	-	-	-	-	-	-	-	-	-	19.4	15.4	15.2	15.7
197	-	-	-	-	-	-	-	-	-	-	-	-	14.6	15.0	15.4
203	-	-	-	-	-	-	-	-	-	-	-	-	13.4	14.8	15.0
210	-	-	-	-	-	-	-	-	-	-	-	-	-	14.3	14.6
216	-	-	-	-	-	-	-	-	-	-	-	-	-	-	14.1

Remarks

1) plus 9.8 ft adapter

Lifting capacities luffing fly jib, main boom 82° to 65°

Main boom: 80.7 ft¹⁾

167,600 lb   360° 75%

Radius	Fly jib														
	65.6 ft			105.0 ft			144.3 ft			177.1 ft			213.2 ft		
	82°	73°	65°	82°	73°	65°	82°	73°	65°	82°	73°	65°	82°	73°	65°
	1,000 lb														
39	102.5	-	-	-	-	-	-	-	-	-	-	-	-	-	-
46	98.1	-	-	71.7	-	-	-	-	-	-	-	-	-	-	-
52	92.6	-	-	69.4	-	-	47.4	-	-	-	-	-	-	-	-
59	88.2	90.4	-	67.2	-	-	45.2	-	-	30.6	-	-	-	-	-
65	83.8	81.6	-	64.8	-	-	43.4	-	-	29.5	-	-	-	-	-
72	-	71.7	-	62.6	61.7	-	41.7	-	-	28.7	-	-	18.1	-	-
79	-	64.6	59.1	60.4	60.6	-	40.3	-	-	27.6	-	-	17.4	-	-
85	-	58.6	53.4	58.2	57.1	-	39.0	-	-	26.7	-	-	16.8	-	-
92	-	-	48.7	55.8	52.0	-	37.7	36.6	-	26.0	-	-	16.3	-	-
98	-	-	-	53.1	47.6	43.2	36.6	36.2	-	25.4	-	-	15.7	-	-
105	-	-	-	48.9	43.9	39.7	35.7	35.5	-	24.7	24.0	-	15.2	-	-
111	-	-	-	-	40.8	36.8	34.8	34.8	-	24.0	24.0	-	15.0	-	-
118	-	-	-	-	37.9	34.2	33.7	34.4	32.2	23.6	23.8	-	14.6	14.1	-
124	-	-	-	-	-	32.0	32.8	33.5	30.0	23.1	23.8	-	14.3	13.9	-
131	-	-	-	-	-	30.0	31.7	31.3	28.0	22.7	23.6	-	13.9	13.9	-
138	-	-	-	-	-	-	30.6	29.3	26.0	22.5	23.4	22.5	13.7	13.7	-
144	-	-	-	-	-	-	29.3	27.6	24.5	22.3	23.4	22.3	13.7	13.7	-
151	-	-	-	-	-	-	-	26.0	22.9	22.0	23.1	22.3	13.4	13.7	-
157	-	-	-	-	-	-	-	24.5	21.6	22.0	23.1	21.4	13.4	13.4	13.2
164	-	-	-	-	-	-	-	-	20.5	22.0	22.9	20.1	13.2	13.4	13.2
171	-	-	-	-	-	-	-	-	19.4	21.8	21.6	19.0	13.2	13.4	13.2
177	-	-	-	-	-	-	-	-	-	21.4	20.5	17.9	13.2	13.4	13.2
184	-	-	-	-	-	-	-	-	-	-	19.6	17.0	13.2	13.4	13.2
190	-	-	-	-	-	-	-	-	-	-	18.5	16.1	13.2	13.4	13.2
197	-	-	-	-	-	-	-	-	-	-	-	15.2	13.2	13.4	13.2
203	-	-	-	-	-	-	-	-	-	-	-	14.3	13.2	13.4	13.0
210	-	-	-	-	-	-	-	-	-	-	-	-	13.2	13.4	12.1
216	-	-	-	-	-	-	-	-	-	-	-	-	-	13.4	11.5
223	-	-	-	-	-	-	-	-	-	-	-	-	-	13.4	10.8
229	-	-	-	-	-	-	-	-	-	-	-	-	-	-	10.4

Remarks
1) plus 9.8 ft adapter

Lifting capacities luffing fly jib, main boom 82° to 65°

Main boom: 113.2 ft¹⁾

167,600 lb



360°

75%

Radius	Fly jib														
	65.6 ft			105.0 ft			144.3 ft			177.1 ft			213.2 ft		
	82°	73°	65°	82°	73°	65°	82°	73°	65°	82°	73°	65°	82°	73°	65°
	1,000 lb														
46	75.0	--	--	--	--	--	--	--	--	--	--	--	--	--	--
52	73.9	--	--	52.2	--	--	--	--	--	--	--	--	--	--	--
59	72.8	--	--	50.9	--	--	--	--	--	--	--	--	--	--	--
65	71.7	--	--	50.0	--	--	34.6	--	--	23.1	--	--	--	--	--
72	70.5	59.1	--	49.2	--	--	34.2	--	--	22.7	--	--	--	--	--
79	--	55.1	--	48.5	--	--	33.5	--	--	22.3	--	--	14.1	--	--
85	--	51.6	--	48.1	44.1	--	33.1	--	--	21.8	--	--	13.9	--	--
92	--	48.7	42.3	47.6	42.5	--	32.4	--	--	21.4	--	--	13.9	--	--
98	--	--	38.8	47.2	41.4	--	32.0	--	--	20.9	--	--	13.7	--	--
105	--	--	35.7	47.0	40.1	--	31.5	32.6	--	20.7	--	--	13.4	--	--
111	--	--	--	43.7	37.0	--	31.1	31.3	--	20.3	--	--	13.4	--	--
118	--	--	--	--	34.4	29.3	30.6	30.2	--	20.1	19.6	--	13.2	--	--
124	--	--	--	--	32.2	27.3	30.4	29.1	--	19.8	19.6	--	13.2	--	--
131	--	--	--	--	30.2	25.4	30.0	28.2	--	19.6	19.4	--	13.0	12.6	--
138	--	--	--	--	--	23.8	29.5	26.5	21.4	19.4	19.2	--	13.0	12.3	--
144	--	--	--	--	--	22.3	29.1	24.7	19.8	19.2	19.0	--	12.8	12.3	--
151	--	--	--	--	--	--	28.2	23.1	18.5	19.0	19.0	--	12.8	12.1	--
157	--	--	--	--	--	--	--	21.8	17.4	19.0	18.7	17.0	12.6	11.9	--
164	--	--	--	--	--	--	--	20.7	16.3	18.7	18.5	15.9	12.6	11.7	--
171	--	--	--	--	--	--	--	19.6	15.2	18.7	18.5	15.0	12.3	11.7	--
177	--	--	--	--	--	--	--	--	14.3	18.7	18.1	13.9	12.3	11.5	11.0
184	--	--	--	--	--	--	--	--	13.7	--	17.2	13.2	12.1	11.5	11.0
190	--	--	--	--	--	--	--	--	--	--	16.3	12.3	12.1	11.2	10.8
197	--	--	--	--	--	--	--	--	--	--	15.4	11.7	12.1	11.2	10.1
203	--	--	--	--	--	--	--	--	--	--	--	11.0	11.9	11.2	9.5
210	--	--	--	--	--	--	--	--	--	--	--	10.4	11.9	11.0	8.8
216	--	--	--	--	--	--	--	--	--	--	--	9.9	11.9	11.0	8.4
223	--	--	--	--	--	--	--	--	--	--	--	--	--	11.0	7.7
229	--	--	--	--	--	--	--	--	--	--	--	--	--	10.6	7.3
243	--	--	--	--	--	--	--	--	--	--	--	--	--	--	6.4

Remarks

1) plus 9.8 ft adapter

Lifting capacities luffing fly jib, main boom 82° to 65°

Main boom: 129.9 ft¹⁾

167,600 lb



360°

75%

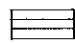

Radius	Fly jib														
	65.6 ft			105.0 ft			144.3 ft			177.1 ft			213.2 ft		
	82°	73°	65°	82°	73°	65°	82°	73°	65°	82°	73°	65°	82°	73°	65°
	1,000 lb														
52	61.3	-	-	-	-	-	-	-	-	-	-	-	-	-	-
59	60.4	-	-	43.2	-	-	-	-	-	-	-	-	-	-	-
65	59.5	-	-	42.5	-	-	29.1	-	-	-	-	-	-	-	-
72	58.6	-	-	41.7	-	-	28.7	-	-	18.7	-	-	-	-	-
79	-	45.2	-	41.0	-	-	28.2	-	-	18.5	-	-	11.5	-	-
85	-	44.1	-	40.3	-	-	27.8	-	-	18.3	-	-	11.2	-	-
92	-	43.2	-	39.9	36.4	-	27.3	-	-	17.9	-	-	11.0	-	-
98	-	42.5	-	39.2	35.5	-	26.9	-	-	17.6	-	-	10.8	-	-
105	-	-	34.0	38.8	34.6	-	26.5	-	-	17.4	-	-	10.6	-	-
111	-	-	31.5	38.1	34.0	-	26.0	25.8	-	17.2	-	-	10.4	-	-
118	-	-	-	-	33.3	-	25.6	25.1	-	17.0	-	-	10.4	-	-
124	-	-	-	-	31.1	25.1	25.4	24.5	-	16.8	15.4	-	10.1	-	-
131	-	-	-	-	29.1	23.8	24.9	24.0	-	16.3	15.2	-	10.1	-	-
138	-	-	-	-	27.3	22.3	24.7	23.6	-	16.1	15.0	-	9.9	9.5	-
144	-	-	-	-	-	20.7	24.5	23.1	-	15.9	15.0	-	9.9	9.5	-
151	-	-	-	-	-	19.6	24.0	22.3	17.0	15.9	14.8	-	9.7	9.3	-
157	-	-	-	-	-	-	-	20.9	15.9	15.7	14.6	-	9.7	9.3	-
164	-	-	-	-	-	-	-	19.8	15.0	15.4	14.6	14.1	9.7	9.3	-
171	-	-	-	-	-	-	-	18.5	13.9	15.4	14.6	13.7	9.7	9.0	-
177	-	-	-	-	-	-	-	-	13.0	15.4	14.3	12.8	9.7	9.0	-
184	-	-	-	-	-	-	-	-	12.3	15.4	14.3	11.9	9.5	9.0	7.3
190	-	-	-	-	-	-	-	-	11.7	-	14.3	11.2	9.5	9.0	7.3
197	-	-	-	-	-	-	-	-	-	-	14.3	10.6	9.5	9.0	7.3
203	-	-	-	-	-	-	-	-	-	-	13.9	9.9	9.5	9.0	7.3
210	-	-	-	-	-	-	-	-	-	-	-	9.3	9.3	8.8	7.3
216	-	-	-	-	-	-	-	-	-	-	-	8.8	9.3	8.8	7.3
223	-	-	-	-	-	-	-	-	-	-	-	8.2	-	8.8	6.6
229	-	-	-	-	-	-	-	-	-	-	-	-	-	8.8	6.2
243	-	-	-	-	-	-	-	-	-	-	-	-	-	-	5.3
256	-	-	-	-	-	-	-	-	-	-	-	-	-	-	4.6

Remarks

1) plus 9.8 ft adapter

Lifting capacities luffing fly jib, main boom 82° to 65°

Main boom: 146.0 ft¹⁾

167,600 lb   **360°** **75%**

Radius	Fly jib														
	65.6 ft			105.0 ft			144.3 ft			177.1 ft			213.2 ft		
	82°	73°	65°	82°	73°	65°	82°	73°	65°	82°	73°	65°	82°	73°	65°
	1,000 lb														
52	50.7	-	-	-	-	-	-	-	-	-	-	-	-	-	-
59	50.5	-	-	34.2	-	-	-	-	-	-	-	-	-	-	-
65	50.0	-	-	34.0	-	-	-	-	-	-	-	-	-	-	-
72	49.4	-	-	33.7	-	-	22.7	-	-	-	-	-	-	-	-
79	48.9	-	-	33.3	-	-	22.5	-	-	14.6	-	-	-	-	-
85	-	37.0	-	32.8	-	-	22.3	-	-	14.3	-	-	7.9	-	-
92	-	36.6	-	32.4	-	-	21.8	-	-	14.1	-	-	7.7	-	-
98	-	36.2	-	32.0	-	-	21.6	-	-	14.1	-	-	7.5	-	-
105	-	-	-	31.5	28.0	-	21.2	-	-	13.9	-	-	7.5	-	-
111	-	-	28.4	31.3	27.6	-	20.9	-	-	13.7	-	-	7.3	-	-
118	-	-	27.6	31.3	26.9	-	20.7	19.8	-	13.4	-	-	7.1	-	-
124	-	-	25.8	-	26.2	-	20.3	19.4	-	13.2	-	-	6.8	-	-
131	-	-	-	-	25.8	19.8	20.1	19.2	-	13.2	11.0	-	6.8	-	-
138	-	-	-	-	25.1	19.6	19.8	19.0	-	13.0	11.0	-	6.6	-	-
144	-	-	-	-	-	19.4	19.4	18.5	-	12.8	11.0	-	6.4	5.3	-
151	-	-	-	-	-	18.1	19.2	18.3	-	12.6	10.8	-	6.4	5.3	-
157	-	-	-	-	-	17.0	-	18.1	14.6	12.6	10.8	-	6.2	5.3	-
164	-	-	-	-	-	-	-	17.9	13.4	12.3	10.8	-	6.2	5.3	-
171	-	-	-	-	-	-	-	17.6	12.6	12.3	10.8	-	6.2	5.3	-
177	-	-	-	-	-	-	-	16.8	11.9	12.1	10.8	8.8	6.0	5.3	-
184	-	-	-	-	-	-	-	-	11.0	12.1	10.8	8.8	6.0	5.3	-
190	-	-	-	-	-	-	-	-	10.4	-	10.8	8.8	6.0	5.3	3.7
197	-	-	-	-	-	-	-	-	9.7	-	10.6	8.8	6.0	5.3	3.7
203	-	-	-	-	-	-	-	-	-	-	10.6	8.8	5.7	5.3	3.7
210	-	-	-	-	-	-	-	-	-	-	10.6	8.2	5.7	5.3	3.7
216	-	-	-	-	-	-	-	-	-	-	-	7.7	5.7	5.3	3.7
223	-	-	-	-	-	-	-	-	-	-	-	7.3	-	5.3	3.7
229	-	-	-	-	-	-	-	-	-	-	-	6.8	-	5.3	3.7
243	-	-	-	-	-	-	-	-	-	-	-	-	-	5.3	3.7
256	-	-	-	-	-	-	-	-	-	-	-	-	-	-	3.7

Remarks

1) plus 9.8 ft adapter

Lifting capacities lifting fly jib, main boom 82° to 65°

Main boom: 156.2 ft¹⁾

167,600 lb



360°

75%

Radius	Fly jib														
	65.6 ft			105.0 ft			144.3 ft			177.1 ft			213.2 ft		
	82°	73°	65°	82°	73°	65°	82°	73°	65°	82°	73°	65°	82°	73°	65°
	1,000 lb														
59	43.9	--	--	--	--	--	--	--	--	--	--	--	--	--	--
65	43.4	--	--	28.2	--	--	--	--	--	--	--	--	--	--	--
72	43.0	--	--	28.0	--	--	18.3	--	--	--	--	--	--	--	--
79	42.5	--	--	27.8	--	--	18.1	--	--	10.6	--	--	--	--	--
85	--	--	--	27.6	--	--	17.9	--	--	10.4	--	--	4.9	--	--
92	--	31.1	--	27.3	--	--	17.4	--	--	10.4	--	--	4.9	--	--
98	--	30.2	--	27.1	--	--	17.2	--	--	10.4	--	--	4.9	--	--
105	--	29.3	--	26.9	25.4	--	17.0	--	--	10.1	--	--	4.6	--	--
118	--	--	22.5	26.5	24.0	--	16.5	--	--	9.9	--	--	4.6	--	--
124	--	--	21.8	--	23.4	--	16.3	15.2	--	9.9	--	--	4.6	--	--
131	--	--	--	--	22.7	--	16.1	15.0	--	9.9	--	--	4.6	--	--
138	--	--	--	--	22.3	--	16.1	15.0	--	9.7	7.5	--	4.6	--	--
144	--	--	--	--	21.6	15.7	15.9	14.8	--	9.7	7.5	--	4.4	--	--
151	--	--	--	--	--	15.4	15.7	14.6	--	9.7	7.5	--	4.4	--	--
157	--	--	--	--	--	15.2	15.7	14.3	--	9.7	7.5	--	4.4	--	--
164	--	--	--	--	--	15.0	--	14.1	10.8	9.5	7.5	--	4.4	--	--
171	--	--	--	--	--	--	--	13.9	10.6	9.5	7.5	--	4.4	--	--
177	--	--	--	--	--	--	--	13.7	10.4	9.5	7.5	--	4.4	--	--
184	--	--	--	--	--	--	--	13.4	9.9	9.5	7.5	5.5	4.4	--	--
190	--	--	--	--	--	--	--	--	9.3	--	7.5	5.5	4.4	--	--
197	--	--	--	--	--	--	--	--	8.8	--	7.5	5.5	4.4	--	--
203	--	--	--	--	--	--	--	--	8.2	--	7.5	5.5	4.2	--	--
210	--	--	--	--	--	--	--	--	--	--	7.5	5.5	4.2	--	--
216	--	--	--	--	--	--	--	--	--	--	--	5.5	4.2	--	--
223	--	--	--	--	--	--	--	--	--	--	--	5.5	4.2	--	--
229	--	--	--	--	--	--	--	--	--	--	--	5.5	--	--	--

Remarks

1) plus 9.8 ft adapter

Lifting capacities using fly jib, main boom 82' to 65'

Main boom: 178.2 ft¹⁾

167,600 lb



360°

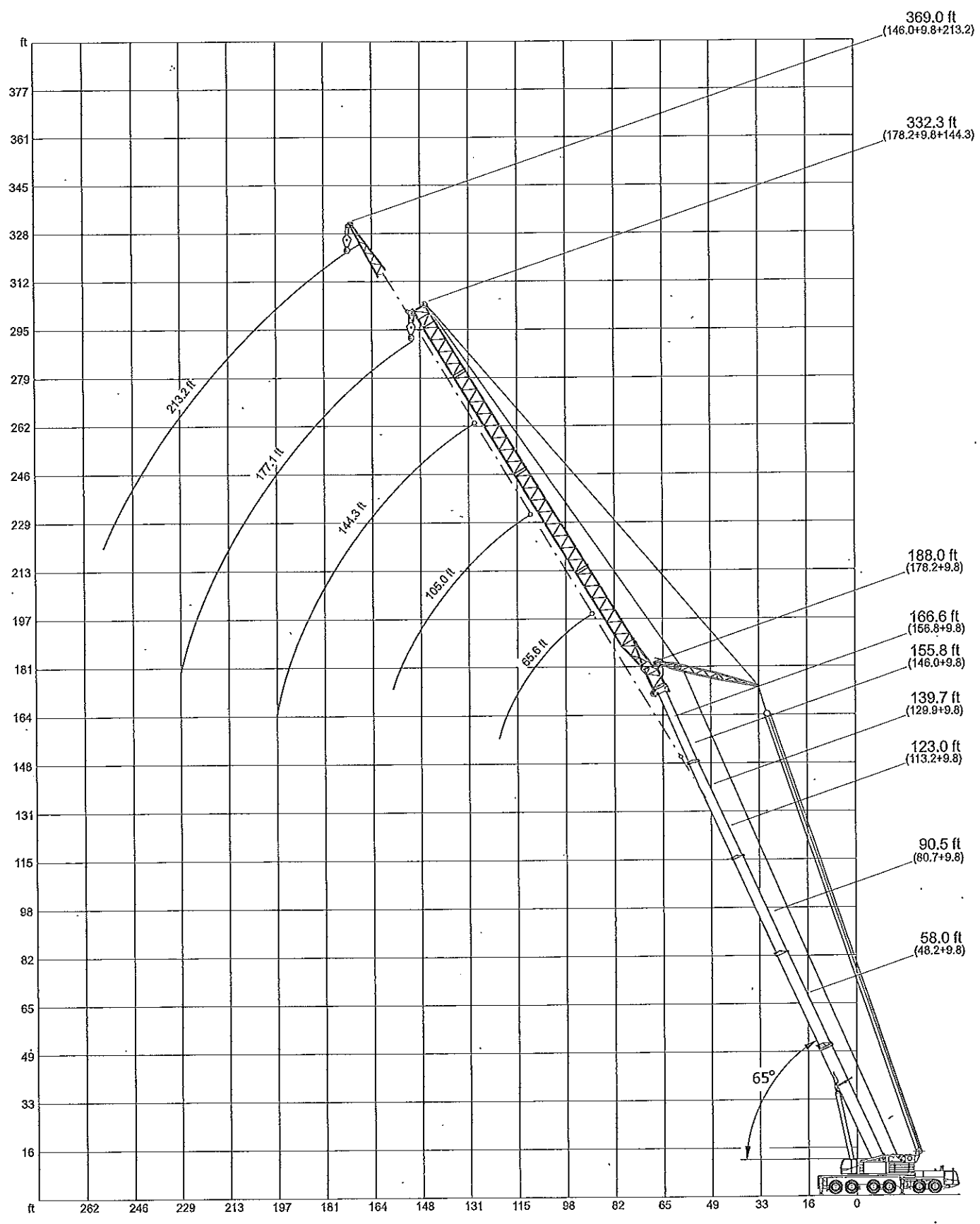
75%

Radius	Fly jib														
	65.6 ft			105.0 ft			144.3 ft			177.1 ft			213.2 ft		
	82°	73°	65°	82°	73°	65°	82°	73°	65°	82°	73°	65°	82°	73°	65°
	1,000 lb														
65	30.8	--	--	17.6	--	--	--	--	--	--	--	--	--	--	--
72	29.8	--	--	17.6	--	--	--	--	--	--	--	--	--	--	--
79	28.9	--	--	17.6	--	--	10.8	--	--	4.0	--	--	--	--	--
85	28.4	--	--	17.6	--	--	10.8	--	--	4.0	--	--	--	--	--
92	--	--	--	17.6	--	--	10.6	--	--	4.0	--	--	--	--	--
98	--	21.8	--	17.6	--	--	10.4	--	--	4.0	--	--	--	--	--
105	--	21.6	--	17.6	--	--	10.1	--	--	4.0	--	--	--	--	--
111	--	21.4	--	17.6	--	--	10.1	--	--	4.0	--	--	--	--	--
118	--	--	16.1	17.6	16.3	--	9.9	--	--	4.0	--	--	--	--	--
124	--	--	15.9	--	16.1	--	9.9	--	--	4.0	--	--	--	--	--
131	--	--	15.4	--	15.9	--	9.7	8.2	--	4.0	--	--	--	--	--
138	--	--	--	--	15.7	--	9.7	8.2	--	4.0	--	--	--	--	--
144	--	--	--	--	15.4	--	9.5	8.2	--	4.0	--	--	--	--	--
151	--	--	--	--	15.2	11.2	9.5	7.9	--	4.0	--	--	--	--	--
157	--	--	--	--	--	11.0	9.3	7.9	--	4.0	--	--	--	--	--
164	--	--	--	--	--	10.8	--	7.9	--	4.0	--	--	--	--	--
171	--	--	--	--	--	10.6	--	7.9	--	4.0	--	--	--	--	--
177	--	--	--	--	--	--	--	7.9	5.1	4.0	--	--	--	--	--
184	--	--	--	--	--	--	--	7.7	5.1	4.0	--	--	--	--	--
190	--	--	--	--	--	--	--	--	5.1	4.0	--	--	--	--	--
197	--	--	--	--	--	--	--	--	5.1	--	--	--	--	--	--
203	--	--	--	--	--	--	--	--	5.1	--	--	--	--	--	--
210	--	--	--	--	--	--	--	--	5.1	--	--	--	--	--	--

Remarks

1) plus 9.8 ft adapter

Working ranges turning jib, main boom 65°



Technical description

Carrier

Drive/Steering:	12 x 6 x 8.
Frame:	Demag-built monobox main frame with outrigger boxes integral, of high strength fine grain structural steel.
Outriggers:	4-point outrigger system, fully hydraulic horizontal and vertical extension.
Engine:	Daimler-Benz OM 502 LA water-cooled 8 cylinder diesel engine, rating: 420 kW (570 hp) at 1800 1/min, torque 2700 Nm at 1100 1/min. Fuel tank capacity: 174 gallons.
Transmission:	Allison type CLBT 755 with electronic transmission control (ATEC), torque converter and hydraulic retarder.
Axles:	Axles 2, 5 and 6 driven, 1, 2, 5 and 6 steering. Differential lockout control: axles 2, 5 and 6: transverse lockout control, 5th axle: longitudinal lockout control.
Suspension:	Hydropneumatic suspension on all axles, all axles hydraulically blockable.
Wheels and tyres:	12 disk-type wheels 11.0 - 25/1,7 fitted with 16.00 R 25 tyres.
Steering:	Dual-circuit semiblock mechanical steering with hydraulic booster.
Brakes:	to EC directives.
Electrical equipment:	24 V system.
Driver's cab:	Rubber-mounted all steel low-line cab, driver's and 1 mate's seat, full instrumentation and carrier controls.

Superstructure

Engine:	Daimler Benz OM 366 LA water-cooled 6-cylinder diesel engine, rating: 171 kW (233 hp) at 2400 1/min, torque 750 Nm at 1400-1700 1/min. Fuel tank capacity: 300 l.
Hydraulic system:	3 variable-displacement axial-piston pumps with automatic power control and 1 fixed-displacement pump to provide 3 hydraulic working circuits and 3 simultaneous working movements, 1 fixed-displacement pump for the low pressure servo control.
Hoist:	Variable-displacement axial-piston hydraulic motor, hoist drum with integral planetary gear reducer and brake.
Slew unit:	Axial-piston hydraulic motor with planetary gear reducer, foot-pedal operated brake and spring-applied holding brake.
Boom elevation:	One differential cylinder with pilot-controlled lowering brake valve.
Control:	Electric pilot control by two 4-way self-centering hand levers.
Crane cab:	Spacious all-steel comfortable cab (tiltable) with sliding door and large hinged windscreen, roof window with armoured glass, full instrumentation and crane controls, comfortable seat with ergonomic armrest mounted joystick controls, working light. Self-contained hot water heater with timer and 'Heizmatic' for sensitive heat flow control. Intermittent control window wiper and washer.
Outrigger loading Indicator:	Indication of outrigger loading in the upper cabin.
Main boom:	Boom base and 4 telescopic sections, fabricated from fine grain structural steel, hydraulically telescoping to full boom length. Buckling-resistant Demag ovaloid design with diagonal self centering slider shoes, boom head incl. parts to fit the optional jibs and foldaway extension, boom sections pinned hydraulically. 116,800 lb, comprising of: 1 tray 12,800 lb and 4 sections 25,000 lb each.
Counterweight:	Electronic safe load indicator with easy-to-read graphic display and sealed touch-type keyboard, and digital read-out for hook load, nominal load, radius, boom length and angle. Analog display to indicate capacity utilization and monitoring code to assist in trouble shooting. Integrated read-out for boom telescoping, display for duty charts and theoretical outrigger loading. In addition, the following safety devices have been installed: limit switches on hoist and lowering motions, pressure relief and safety holding valves, hoist rotation indicator and anemometer.
Safety devices:	

Optional equipment

Drive:	12 x 8, 3rd axle driven in addition.
Tow coupling:	Rockinger coupling, D-value = 120 kN with connections, or Ringfeder coupling, D-value = 190 kN with connections.
Electric eddy-current brake:	Eddy-current brake serves as additional sustained action brake.
Night heater:	Self-contained hot water heater for carrier cab.
Bunk bed:	Carrier cab with bunk bed.
Independent rear axle steering (crab steer):	The rear axles can be steered independent of the front axles. 3rd and 4th axles are raised hydraulically.
Superlift attachment:	This attachment is used to increase the crane's load moment. It consists of the boom suspension system and a 106,000 lb additional counterweight. The boom suspension provides for an automatic rope length adjustment for boom telescoping and is lowered to the main boom when not needed or for road transport. The rear suspension consists of bars, which fold automatically into transport position when lowered to the boom.
Main boom extension:	35.1 ft and 71.2 ft, lattice structure, 0° and 20° offset, 35.1 ft extension folds alongside boom base.
Luffing jib:	65.6-213.2 ft, with luffing mast and 9.8 ft adapter, pendant bars, electrical equipment and safety devices (the 2nd hoist drum is required when using the luffing fly jib). Tail swing incl. luffing bridle is 22.1 ft.
Fixed fly jib:	65.6-134.5 ft, consisting of components taken from the luffing jib. Offset with 65.6-134.5 ft jib: 3° and 20°.
Additional counterweight:	106,000 lb, comprising of 4 sections, installed by the crane itself. Tail swing incl. hoist II is 19.7 ft.
Additional jack leg:	For special duties with 48.2 ft main boom.
Hoist II:	Avoids re-reeving of hoist line when using the optional fly jibs. It is indispensable for fly jib luffing. Powered by variable displacement axial piston motor, hoist drum with integral planetary gear reducer and brake incl. ropes.

Notes to lifting capacity

Lifting capacities do not exceed 75% / 85% of tipping load.

Weight of hook blocks and slings are part of the load, and are to be deducted from the capacity ratings.

Crane operation is permissible up to a

wind speed of 32 ft/s

Consult operation manual for further details on wind speed.

Crane operation is subject to computer charts, only!

For crane operations consult operation manual first!